

ENGLISH

FRANÇAIS

DEUTSCH

ITALIANO

ESPAÑOL

日本語

AXIS Q3505–V Fixed Dome Network Camera

Installation Guide

Legal Considerations

Video and audio surveillance can be regulated by laws that vary from country to country. Check the laws in your local region before using this product for surveillance purposes.

This product includes one (1) H.264 decoder license and one (1) AAC decoder license. To purchase further licenses, contact your reseller.

Liability

Every care has been taken in the preparation of this document. Please inform your local Axis office of any inaccuracies or omissions. Axis Communications AB cannot be held responsible for any technical or typographical errors and reserves the right to make changes to the product and manuals without prior notice. Axis Communications AB makes no warranty of any kind with regard to the material contained within this document, including, but not limited to, the implied warranties of merchantability and fitness for a particular purpose. Axis Communications AB shall not be liable nor responsible for incidental or consequential damages in connection with the furnishing, performance or use of this material. This product is only to be used for its intended purpose.

Intellectual Property Rights

Axis AB has intellectual property rights relating to technology embodied in the product described in this document. In particular, and without limitation, these intellectual property rights may include one or more of the patents listed at www.axis.com/patent.htm and one or more additional patents or pending patent applications in the US and other countries.

This product contains licensed third-party software. See the menu item "About" in the product's user interface for more information.

This product contains source code copyright Apple Computer, Inc., under the terms of Apple Public Source License 2.0 (see www.opensource.apple.com/aps/). The source code is available from <https://developer.apple.com/bonjour/>

Equipment Modifications

This equipment must be installed and used in strict accordance with the instructions given in the user documentation. This equipment contains no user-serviceable components. Unauthorized equipment changes or modifications will invalidate all applicable regulatory certifications and approvals.

Trademark Acknowledgments

AXIS COMMUNICATIONS, AXIS, ETRAX, ARTPEC and VAPIX are registered trademarks or trademark applications of Axis AB in various jurisdictions. All other company names and products are trademarks or registered trademarks of their respective companies.

Apple, Boa, Apache, Bonjour, Ethernet, Internet Explorer, Linux, Microsoft, Mozilla, Real, SMPTE, QuickTime, UNIX, Windows, Windows Vista and WWW are registered trademarks of the respective holders. Java and all Java-based trademarks and logos are trademarks or registered trademarks of Oracle and/or its affiliates. UPnP™ is a certification mark of the UPnP™ Implementers Corporation.

SD, SDHC and SDXC are trademarks or registered trademarks of SD-3C, LLC in the United States, other countries or both. Also, miniSD, microSD, miniSDHC, microSDHC, microSDXC are all trademarks or registered trademarks of SD-3C, LLC in the United States, other countries or both.

Regulatory Information

Europe

CE This product complies with the applicable CE marking directives and harmonized standards:

- Electromagnetic Compatibility (EMC) Directive 2004/108/EC. See *Electromagnetic Compatibility (EMC) on page 2*.
- Low Voltage (LVD) Directive 2006/95/EC. See *Safety on page 3*.
- Restrictions of Hazardous Substances (RoHS) Directive 2011/65/EU. See *Disposal and Recycling on page 3*.

A copy of the original declaration of conformity may be obtained from Axis Communications AB. See *Contact Information on page 3*.

Electromagnetic Compatibility (EMC)

This equipment has been designed and tested to fulfill applicable standards for:

- Radio frequency emission when installed according to the instructions and used in its intended environment.
- Immunity to electrical and electromagnetic phenomena when installed according to the instructions and used in its intended environment.

USA

This equipment has been tested using a shielded network cable (STP) and found to comply with the limits for a Class B digital device, pursuant to part 15 of the FCC Rules. These limits are designed to provide reasonable protection against harmful interference in a residential installation. This equipment generates, uses and can radiate radio frequency energy and, if not installed and used in accordance with the instructions, may cause harmful interference to radio communications. However, there is no guarantee that interference will not occur in a particular installation. If this equipment does cause harmful interference to radio or television reception, which can be determined by turning the equipment off and on, the user is encouraged to try to correct the interference by one or more of the following measures:

- Reorient or relocate the receiving antenna.
- Increase the separation between the equipment and receiver.
- Connect the equipment into an outlet on a circuit different from that to which the receiver is connected.
- Consult the dealer or an experienced radio/TV technician for help.

The product shall be connected using a shielded network cable (STP) that is properly grounded.

Canada

This digital apparatus complies with CAN ICES-3 (Class B). The product shall be connected using a shielded network cable (STP) that is properly grounded.

Cet appareil numérique est conforme à la norme CAN NMB-3 (classe B). Le produit doit être connecté à l'aide d'un câble réseau blindé (STP) qui est correctement mis à la terre.

Europe

This digital equipment fulfills the requirements for RF emission according to the Class B limit of EN 55022. The product shall be connected using a shielded network cable (STP) that is properly grounded.

This product fulfills the requirements for emission and immunity according to EN 50121-4 and IEC 62236-4 railway applications.

This product fulfills the requirements for immunity according to EN 61000-6-1 residential, commercial and light-industrial environments.

This product fulfills the requirements for immunity according to EN 61000-6-2 industrial environments.

This product fulfills the requirements for immunity according to EN 55024 office and commercial environments

Australia/New Zealand

This digital equipment fulfills the requirements for RF emission according to the Class B limit of AS/NZS CISPR 22. The product shall be connected using a shielded network cable (STP) that is properly grounded.

Japan

この装置は、クラスB情報技術装置です。この装置は、家庭環境で使用することを目的としています。この装置がラジオやテレビジョン受信機に近接して使用されると、受信障害を引き起こすことがあります。取扱説明書に従って正しい取り扱いをして下さい。本製品は、シールドネットワークケーブル(STP)を使用して接続してください。また適切に接地してください。

Korea

이 기기는 가정용(B급) 전자파적합기기로서 주로 가정에서 사용하는 것을 목적으로 하며, 모든 지역에서 사용할 수 있습니다. 적절히 접지된 STP (shielded twisted pair) 케이블을 사용하여 제품을 연결 하십시오.

Safety

This product complies with IEC/EN/UL 60950-1, Safety of Information Technology Equipment. If its connecting cables are routed outdoors, the product shall be grounded either through a shielded network cable (STP) or other appropriate method.

Disposal and Recycling

When this product has reached the end of its useful life, dispose of it according to local laws and regulations. For information about your nearest designated collection point, contact your local authority responsible for waste disposal. In accordance with local legislation, penalties may be applicable for incorrect disposal of this waste.

Europe



■ This symbol means that the product shall not be disposed of together with household or commercial waste. Directive 2012/19/EU on waste electrical and electronic equipment (WEEE) is applicable in the European Union member states. To prevent potential harm to human health and the environment, the product must be disposed of in an approved and environmentally safe recycling process. For information about your nearest designated collection point, contact your local authority responsible for waste disposal. Businesses should contact the product supplier for information about how to dispose of this product correctly.

This product complies with the requirements of Directive 2011/65/EU on the restriction of the use of certain hazardous substances in electrical and electronic equipment (RoHS).

China



This product complies with the requirements of the legislative act Administration on the Control of Pollution Caused by Electronic Information Products (ACPEIP).

Contact Information

Axis Communications AB

Emdalavägen 14

223 69 Lund

Sweden

Tel: +46 46 272 18 00

Fax: +46 46 13 61 30

www.axis.com

Support

Should you require any technical assistance, please contact your Axis reseller. If your questions cannot be answered immediately, your reseller will forward your queries through the appropriate channels to ensure a rapid response. If you are connected to the Internet, you can:

- download user documentation and software updates
- find answers to resolved problems in the FAQ database. Search by product, category, or phrase
- report problems to Axis support staff by logging in to your private support area
- chat with Axis support staff (selected countries only)
- visit Axis Support at www.axis.com/techsup/

Learn More!

Visit Axis learning center www.axis.com/academy/ for useful trainings, webinars, tutorials and guides.

Safety Information

Read through this Installation Guide carefully before installing the product. Keep the Installation Guide for future reference.

Hazard Levels

▲DANGER

Indicates a hazardous situation which, if not avoided, will result in death or serious injury.

▲WARNING

Indicates a hazardous situation which, if not avoided, could result in death or serious injury.

▲CAUTION

Indicates a hazardous situation which, if not avoided, could result in minor or moderate injury.

NOTICE

Indicates a situation which, if not avoided, could result in damage to property.

Other Message Levels

Important

Indicates significant information which is essential for the product to function correctly.

Note

Indicates useful information which helps in getting the most out of the product.

AXIS Q3505–V Fixed Dome Network Camera

Safety Instructions

NOTICE

- The Axis product shall be used in compliance with local laws and regulations.
- To use the Axis product outdoors, or in similar environments, it shall be installed in an approved outdoor housing.
- Store the Axis product in a dry and ventilated environment.
- Avoid exposing the Axis product to shocks or heavy pressure.
- Do not install the product on unstable brackets, surfaces or walls.
- Use only applicable tools when installing the Axis product. Excessive force could cause damage to the product.
- Do not use chemicals, caustic agents, or aerosol cleaners. Use a clean cloth dampened with pure water for cleaning.
- Use only accessories that comply with technical specification of the product. These can be provided by Axis or a third party.
- Use only spare parts provided by or recommended by Axis.
- Do not attempt to repair the product by yourself. Contact Axis support or your Axis reseller for service matters.

Transportation

NOTICE

- When transporting the Axis product, use the original packaging or equivalent to prevent damage to the product.

Battery

The Axis product uses a 3.0 V BR/CR2032 lithium battery as the power supply for its internal real-time clock (RTC). Under normal conditions this battery will last for a minimum of five years.

Low battery power affects the operation of the RTC, causing it to reset at every power-up. When the battery needs replacing, a log message will appear in the product's server report. For more information about the server report, see the product's setup pages or contact Axis support.

The battery should not be replaced unless required, but if the battery does need replacing, contact Axis support at www.axis.com/techsup for assistance.

⚠WARNING

- Risk of explosion if the battery is incorrectly replaced.
- Replace only with an identical battery or a battery which is recommended by Axis.
- Dispose of used batteries according to local regulations or the battery manufacturer's instructions.

Dome Cover

NOTICE

- Be careful not to scratch, damage or leave fingerprints on the dome cover because this could decrease image quality. If possible, keep the protective plastic on the dome cover until the installation is complete.
- Do not clean a dome cover that looks clean to the eye and never polish the surface. Excessive cleaning could damage the surface.
- For general cleaning of the dome cover it is recommended to use a non-abrasive, solvent-free neutral soap or detergent mixed with pure water and a soft, clean cloth. Rinse well with pure lukewarm water. Dry with a soft, clean cloth to prevent water spotting.
- Never use harsh detergents, gasoline, benzene or acetone etc. and avoid cleaning the dome cover in direct sunlight or at elevated temperatures.

Installation Guide

This Installation Guide provides instructions for installing AXIS Q3505–V Fixed Dome Network Camera on your network. For other aspects of using the product, see the User Manual available at www.axis.com

Installation Steps

1. Make sure the package contents, tools and other materials necessary for the installation are in order. See *page 9*.
2. Study the hardware overview. See *page 10*.
3. Study the specifications. See *page 15*.
4. Install the hardware. See *page 17*.
5. Access the product. See *page 20*.

Package Contents

For optional accessories see axis.com

- AXIS Q3505–V Fixed Dome Network Camera
- Secure Torx L- key
- I/O connector
- Extra cable gaskets
 - Cable Gasket M20
 - Cable Gasket M20–3mm
- Installation and Management Software CD
- Printed materials
 - Installation Guide (this document)
 - Drill template (2x)
 - Extra serial number label (2x)
 - AVHS Authentication key

Recommended Tools

- Resitorx key TR20

AXIS Q3505–V Fixed Dome Network Camera

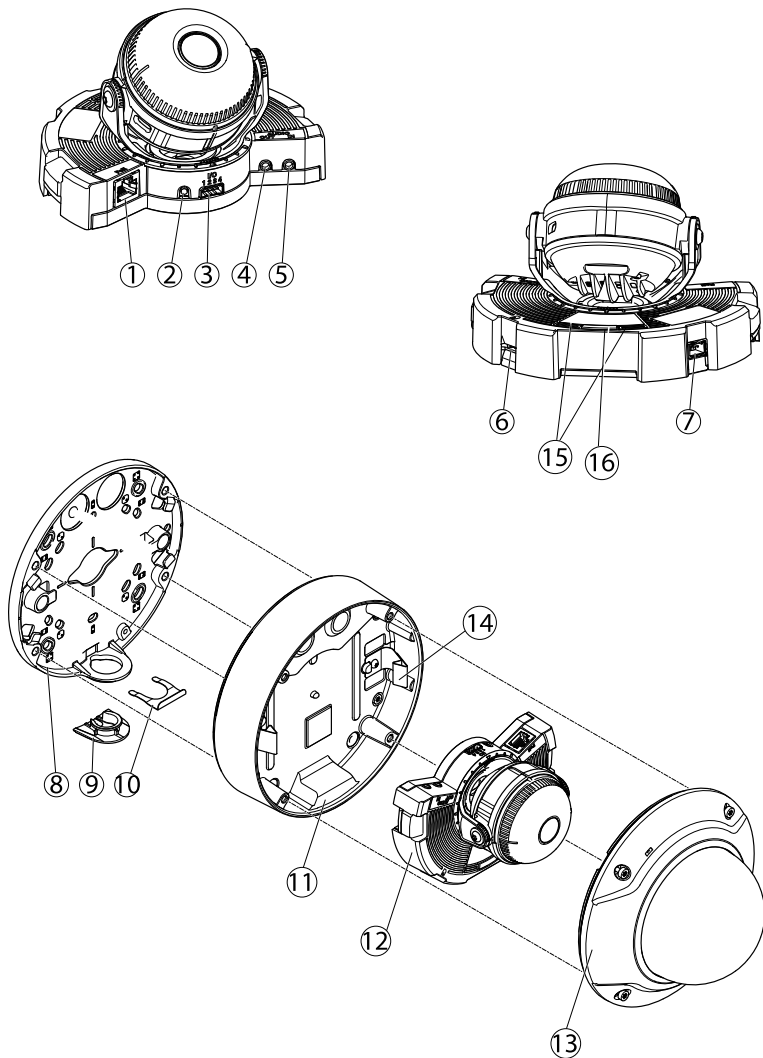
Hardware Overview

Note

3–9 mm lens: Pressing the lens too hard while cleaning may cause the lens to move down. If this happens while the camera is in operation, re-calibrate the optics by clicking Calibrate from the Server Maintenance web page (System Options > Maintenance).

AXIS Q3505-V Fixed Dome Network Camera

ENGLISH



1. Network connector
2. Control button
3. I/O connector
4. Audio out
5. Audio in
6. SD card slot
7. AC/DC connector for power accessory (outdoor model only)

AXIS Q3505–V Fixed Dome Network Camera

8. *Mounting bracket*
9. *Side lid*
10. *Locking clip*
11. *Unit casing*
12. *Camera unit*
13. *Dome cover*
14. *Springs in unit casing*
15. *Status LED*
16. *Function button*

LED Indicators

LED	Color	Indication
Status	Unlit	Connection and normal operation
	Amber	Steady during startup. Flashes during firmware upgrade.
	Amber/red	Flashes amber/red if network connection is unavailable or lost.
	Red	Flashes red for firmware upgrade failure.
	Green	Shows steady green for 10 seconds for normal operation after restart.

Note

- The Status LED can be configured to flash while an event is active.
- The Status LED can be configured to flash for identifying the unit. Go to **Setup > System Options > Maintenance** .

Status LED Behavior and Buzzer Signal for Levelling Assistant

For information on the Function button used for levelling the image, see *Connectors and Buttons*.

Color	Buzzer	Camera position
Fixed green	Continuous beep	Level
Flashing green	Fast interval	Almost level
Flashing orange	Medium interval	Not level
Flashing red	Slow interval	Far from level

Connectors and Buttons

For specifications and operating conditions, see *page 15*.

Network Connector

RJ45 Ethernet connector with Power over Ethernet (PoE).

NOTICE

The product shall be connected using a shielded network cable (STP). All cables connecting the product to the network shall be intended for their specific use. Make sure that the network devices are installed in accordance with the manufacturer's instructions. For information about regulatory requirements, see *Electromagnetic Compatibility (EMC) on page 2*.

I/O Connector

Use with external devices in combination with, for example, tampering alarms, motion detection, event triggering, time lapse recording and alarm notifications. In addition to the 0 V DC reference point and power (DC output), the I/O connector provides the interface to:

- **Digital output** – For connecting external devices such as relays and LEDs. Connected devices can be activated by the VAPIX® Application Programming Interface, output buttons on the Live View page or by an Action Rule. The output will show as active (shown under **System Options > Ports & Devices**) if the alarm device is activated.
- **Digital input** – An alarm input for connecting devices that can toggle between an open and closed circuit, for example: PIRs, door/window contacts, glass break detectors, etc. When a signal is received the state changes and the input becomes active (shown under **System Options > Ports & Devices**).

Audio Connector

The Axis product has the following audio connectors:

- **Audio in (pink)** – 3.5 mm input for a mono microphone, or a line-in mono signal.
- **Audio out (green)** – 3.5 mm output for audio (line level) that can be connected to a public address (PA) system or an active speaker with a built-in amplifier. A stereo connector must be used for audio out.

SD Card Slot

A microSD card (not included) can be used for local recording with removable storage. For more information, see *Specifications on page 15*.

AXIS Q3505-V Fixed Dome Network Camera

NOTICE

To prevent corruption of recordings, the SD card should be unmounted before removal. To unmount, go to **Setup > System Options > Storage > SD Card** and click **Unmount**.

Note

For SD card recommendations see www.axis.com

Control Button

The control button is used for:

- Resetting the product to factory default settings. See *page 21*.
- Connecting to an AXIS Video Hosting System service or AXIS Internet Dynamic DNS Service. For more information about these services, see the User Manual.

Function Button

The function button has multiple functions:

- **As Levelling Assistant** – This function helps to ensure the image is level. Press the button for about 2 seconds to start the levelling assistant and press again to stop. The status LED (see *page 12*) and buzzer signal assist levelling of the image. The image is level when the buzzer beeps continuously.
- **To view the Status LED** – Press the button once to light up the Status LEDs. Press again to turn them off. The LEDs will turn off automatically after 10 seconds.

Multicable (sold separately)

The multicable can be purchased from an Axis reseller for connecting external equipment to the Axis product. The cable provides the following connectors:

Audio connector – See *Connectors on page 15*

I/O connector – See *Connectors on page 15*

Power connector – Connector for AC and DC power for connection to the AXIS T8051 Power Converter AC/DC to DC (not included) wires.

Wires	Specifications
Red	+ DC or AC
Black	- DC or AC

Specifications

This Axis product is intended for indoor use.

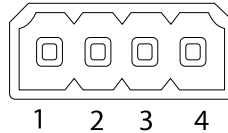
Product	Classification	Temperature	Humidity
AXIS Q3505-V	IEC 60529 IP52	-10 °C to 50 °C (14 °F to 122 °F)	10-85% RH (non-condensing)

Connectors

I/O Connector

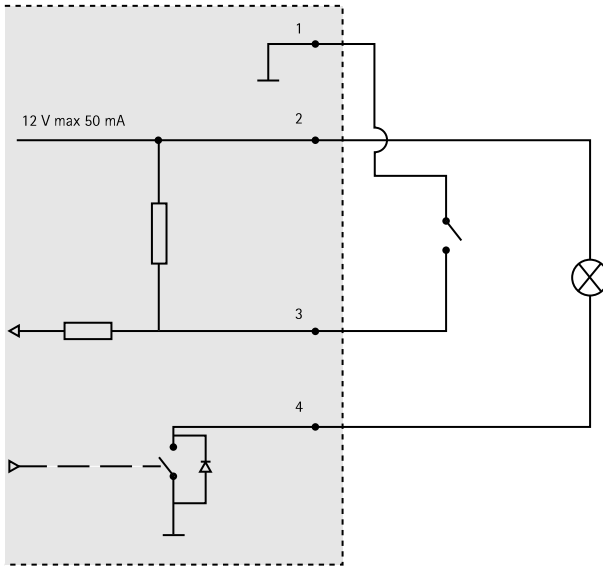
4-pin terminal block for:

- Auxiliary power (DC output)
- Digital Input
- Digital Output
- 0 V DC (-)



Function	Pin	Notes	Specifications
0 V DC (-)	1		0 V DC
DC output	2	Can be used to power auxiliary equipment. Note: This pin can only be used as power out.	12 V D C Max load = 50 mA
Configurable (Input or Output)	3- 4	Digital input – Connect to pin 1 to activate, or leave floating (unconnected) to deactivate.	0 to max 30 V DC
		Digital output – Connected to pin 1 when activated, floating (unconnected) when deactivated. If used with an inductive load, e.g. a relay, a diode must be connected in parallel with the load, for protection against voltage transients.	0 to max 30 V DC, open drain, 100 mA

AXIS Q3505-V Fixed Dome Network Camera



- 3. I/O configured as input
- 4. I/O configured as output

Audio Connector

3.5 mm audio connectors (stereo)



	1 Tip	2 Ring	3 Sleeve
Audio Input	Balanced Microphone Hot (+) In/Unbalance Microphone In/Line In	Balanced Microphone Cold (-) In	Ground
Audio Output	Line out (mono)		Ground

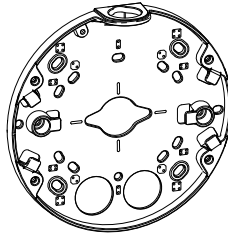
SD Card Slot





Supports microSD cards with up to 64 GB of storage. For best recording performance, use a microSDHC UHS-I or microSDXC UHS-I card. In temperatures below - 25° C use industrial grade SD card.

Install the Hardware

Mounting Bracket

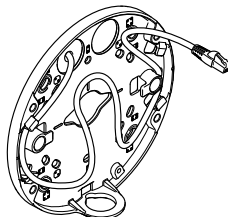
The mounting bracket has 4 mounting patterns. The mounting patterns follow the standard for the following mounting options:



-  : 4" square box
-  : standard-sized US double gang junction box
-  : 4" octagon box
-  : standard-sized US single gang junction box

Attach Mounting Bracket to Wall

1. Attach the mounting bracket (see *Mounting Bracket on page 17*) to the wall with appropriate screws.
2. To route the cables see *Route the Cables on page 18*.
3. Wind the network cable along the grooves on the mounting bracket keeping the extra cable length that may be required later.



AXIS Q3505-V Fixed Dome Network Camera

Route the Cables

Note

See *Hardware Overview on page 10*.

Depending on whether you want to route the cables through or along the wall, follow the relevant instructions below. To route cables through the wall:

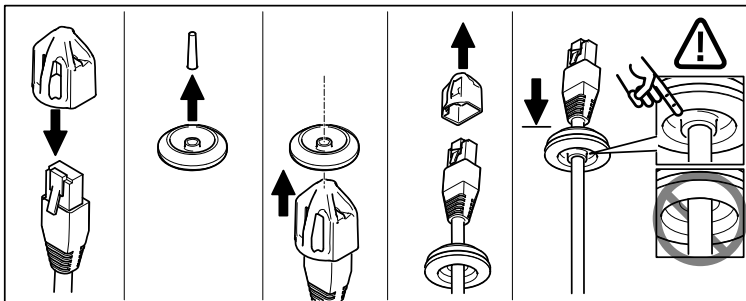
1. Using the drill template drill 4 holes for mounting the bracket, and one or two holes as required for routing the cable or cables in the wall.
2. Route the network cable (and the multicable if required) through the wall and through the hole or holes in the mounting bracket.

The cables can be routed along the wall in one of the following ways:

1. Through the side hole in the mounting bracket. To do this detach the locking clip and side lid in the mounting bracket. Use an appropriate conduit adaptor as required (see www.axis.com for optional accessories). See *Hardware Overview on page 10*.
2. Through the side lid after drilling a hole in the lid for the cable. Replace the side lid and clamp down the locking clip to hold it in place.

Connect the Cables and Attach Unit Casing to Mounting Bracket

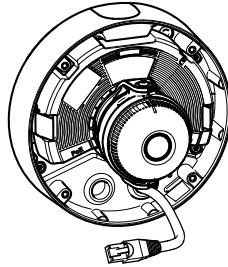
1. Insert the SD memory card in the camera unit (optional).
2. Push the network cable through the black cable gasket in one of the holes in the unit casing, using the connector guard provided. Pull the network cable back slightly so that the cable gasket adjusts itself on the cable.



NOTICE

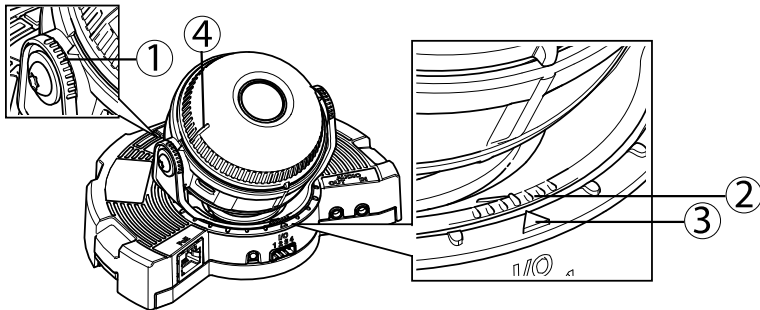
Not pulling the cable back could cause water to seep in and damage the product.

It is recommended to route the cable through the hole farthest from the network connector in the camera unit (see image below).



3. Tighten the 4 tamper proof screws to attach the unit casing to the mounting bracket using the Resistorx key TR20.
4. Connect the cable to the camera unit.
5. Pull the springs aside in the unit casing and attach camera unit to the unit casing.

Adjust Camera Angle



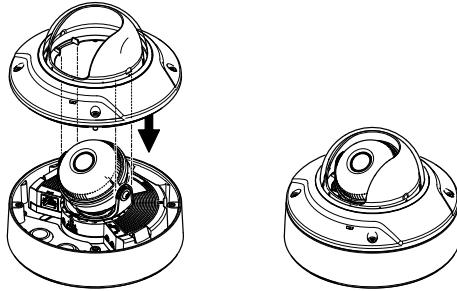
1. Lines on optic holder that indicate an increment in the tilt angle by 10°
 2. Small lines on optic mount that indicate a pan increment of 3°
 3. Lines on optic mount that indicate a pan increment of 15°
 4. Lines on lens cover to help ensure camera is level
1. Pan, tilt and rotate the camera to cover the area under surveillance. It is possible to pan 360° , and tilt to an angle of 90° .
 2. Pan and rotate the lens to adjust image. Use the 2 lines on the lens cover to ensure the camera is level. Use the function button to activate levelling aid. See *Function Button* on page 14.

Attach Dome Cover

1. Make sure the gasket in the dome cover is clean and sits securely in place.

AXIS Q3505-V Fixed Dome Network Camera

2. Slip the grooves in the black shield, over the screws on either side of the camera's optic holder. Align the screws in the dome cover with the holes in the unit casing and tighten using the Resitorx key TR20.
3. Remove the protective film from the dome cover.



Camera unit: *AXIS Q3505-V*

Access the Product

Use the tools provided on the Installation and Management Software CD to assign an IP address, set the password and access the video stream. This information is also available from the support pages on www.axis.com/techsup/

Focus & Zoom

If you have selected **Optical zoom for installation**, follow the instructions below to set focus and zoom.

To set focus and zoom:

1. Go to **Video & Audio > Focus & Zoom**.
2. On the **Basic** tab, set the **zoom** level using the slider. The buttons < and > move the zoom position one step in either direction. The buttons << and >> move the zoom position in multiple steps in either direction.
3. Click **Perform auto focus** to focus the camera automatically.
4. If more adjustments are needed, go to the **Advanced** tab.

Note

- Movements in front of the camera should be avoided during automatic focusing.

On the **Advanced** tab, focus can be adjusted manually:

1. Click **Open iris** to open the iris to its maximum position. This gives the smallest depth of field and provides the best conditions for focusing.
2. Focus is set in the **Focus window**. Use the mouse to move and resize the focus window.
3. Click in the **Focus position** bar to focus on a desired location. The buttons < and > move the focus position one step in either direction. The buttons << and >> move the focus position in multiple steps in either direction.
4. When satisfied, click **Enable iris** to enable the iris.

Set Zoom and Focus – Optical Zoom for Monitoring

To set Focus & Zoom when you have selected **Optical zoom** for monitoring:

Go to **PTZ > Preset Positions** and follow the online instructions to set the focus. In order to be able to retain this focus position after restarting the camera, enter a name for this preset in the **Current position** field and select the **Use current position as Home** option. If you calibrate the optics while in this **Optical zoom for monitoring** mode, select this preset from the **Available positions** drop-down list in the **Preset Positions** webpage. Click **Go to** and **Save**.

To set limits for focus and zoom:

Go to **Video & Audio > Focus & Zoom**.

Select a **Zoom tele limit** value to limit the camera's maximum zoom. The digital zoom level is indicated with the letter D. To check the zoom tele limit, click **Go to**.

Set the **Focus near limit** to prevent the camera from focusing on objects that are too close.

It is possible to set focus and zoom from this page, but the focus will be lost when the camera is restarted.

Reset to Factory Default Settings

Important

Reset to factory default should be used with caution. A reset to factory default will reset all settings, including the IP address, to the factory default values.

Note

The installation and management software tools are available on the CD supplied with the product and from the support pages on www.axis.com/techsup

To reset the product to the factory default settings:

1. Disconnect power from the product.

AXIS Q3505–V Fixed Dome Network Camera

2. Press and hold the control button and reconnect power. See *Hardware Overview on page 10*.
3. Keep the control button pressed for about 15–30 seconds until the status LED indicator flashes amber.
4. Release the control button. The process is complete when the status LED indicator turns green. The product has been reset to the factory default settings. If no DHCP server is available on the network, the default IP address is 192.168.0.90
5. Using the installation and management software tools, assign an IP address, set the password, and access the video stream.

It is also possible to reset parameters to factory default via the web interface. Go to **Setup > System Options > Maintenance**.

Further Information

The User Manual is available at www.axis.com

Visit www.axis.com/techsup to check if there is updated firmware available for your network product. To see the currently installed firmware version, go to **Setup > About**.

Visit Axis learning center www.axis.com/academy for useful trainings, webinars, tutorials and guides.

Warranty Information

For information about Axis' product warranty and thereto related information, see www.axis.com/warranty/

Informations sur la sécurité

Lisez attentivement ce guide d'installation avant d'installer l'appareil. Conservez le guide d'installation pour toute référence ultérieure.

Niveaux de risques

▲DANGER

Indique une situation dangereuse qui, si elle n'est pas évitée, entraînera le décès ou des blessures graves.

▲AVERTISSEMENT

Indique une situation dangereuse qui, si elle n'est pas évitée, pourrait entraîner le décès ou des blessures graves.

▲ATTENTION

Indique une situation dangereuse qui, si elle n'est pas évitée, pourrait entraîner des blessures légères ou modérées.

AVIS

Indique une situation qui, si elle n'est pas évitée, pourrait endommager l'appareil.

Autres niveaux de message

Important

Indique les informations importantes, nécessaires pour assurer le bon fonctionnement de l'appareil.

Note

Indique les informations utiles qui permettront d'obtenir le fonctionnement optimal de l'appareil.

Consignes de sécurité

AVIS

- Le produit Axis doit être utilisé conformément aux lois et réglementations locales en vigueur.
- Pour pouvoir utiliser le produit Axis à l'extérieur, ou dans des environnements similaires, il doit être installé dans un boîtier d'extérieur homologué.
- Conserver le produit Axis dans un environnement sec et ventilé.
- Ne pas exposer le produit Axis aux chocs ou aux fortes pressions.
- Ne pas installer ce produit sur des supports, surfaces ou murs instables.
- Utiliser uniquement des outils recommandés pour l'installation de le produit Axis. Une force excessive appliquée sur le produit pourrait l'endommager.
- Ne pas utiliser de produits chimiques, de substances caustiques ou de nettoyeurs pressurisés. Utiliser un chiffon propre et humide pour le nettoyage.
- Utiliser uniquement des accessoires conformes aux caractéristiques techniques du produit. Ceux-ci peuvent être fournis par Axis ou un tiers.
- Utiliser uniquement les pièces de rechange fournies ou recommandées par Axis.
- Ne pas essayer de réparer ce produit vous-même. Contacter l'assistance technique d'Axis ou votre revendeur Axis pour des problèmes liés à l'entretien.

Transport

AVIS

- Lors du transport du produit Axis, utilisez l'emballage d'origine ou un équivalent pour éviter d'endommager le produit.

Batterie

Le produit Axis utilise une batterie au lithium BR/CR2032 3,0 V comme alimentation de son horloge en temps réel interne (RTC). Dans des conditions normales, cette batterie a une durée de vie minimale de cinq ans.

Si la batterie est faible, le fonctionnement de l'horloge en temps réel peut être affecté et entraîner sa réinitialisation à chaque mise sous tension. Un message enregistré apparaît dans le rapport de serveur du produit lorsque la batterie doit être remplacée. Pour tout complément d'information concernant le rapport de serveur, reportez-vous aux pages de Configuration du produit ou contactez l'assistance technique d'Axis.

La batterie doit être remplacée uniquement en cas de besoin, et pour ce faire, contactez l'assistance technique d'Axis à l'adresse www.axis.com/techsup pour obtenir de l'aide.

⚠AVERTISSEMENT

- Risque d'explosion si la batterie est remplacée de façon incorrecte.
- Remplacez-la uniquement par une batterie identique ou une batterie recommandée par Axis.
- Mettez au rebut les batteries usagées conformément aux réglementations locales ou aux instructions du fabricant de la batterie.

Couvercle de dôme

AVIS

- Veillez à ne pas rayer, endommager ou laisser d'empreintes sur le couvercle du dôme car cela pourrait altérer la qualité d'image. Laissez, si possible, la protection en plastique sur le couvercle du dôme jusqu'à la fin de l'installation.
- Ne nettoyez pas le couvercle du dôme s'il semble propre à l'œil nu et ne frottez jamais sa surface. Un nettoyage excessif pourrait endommager la surface.
- Pour le nettoyage général du couvercle du dôme, il est recommandé d'utiliser un produit non abrasif, un savon neutre sans solvant ou un détergent mélangé avec de l'eau pure et un chiffon doux propre. Rincez bien à l'eau tiède pure. Séchez avec un chiffon doux et propre pour éviter les tâches d'eau.
- N'utilisez jamais de détergents agressifs, d'essence, de benzène ou d'acétone, etc. et évitez toute exposition directe aux rayons du soleil ou à des températures élevées lors du nettoyage.

Guide d'installation

Ce guide d'installation explique comment installer la caméra réseau AXIS Q3505–V à dôme fixe sur votre réseau. Pour toute autre information relative à l'utilisation du produit, reportez-vous au manuel de l'utilisateur disponible sur le site www.axis.com

Procédures d'installation

1. Assurez-vous que les outils et autres matériels nécessaires à l'installation sont inclus dans l'emballage. Cf. *page 27*.
2. Consultez la description du matériel. Cf. *page 28*.
3. Étudiez les caractéristiques. Cf. *page 33*.
4. Installez le matériel. Cf. *page 35*.
5. Utilisez le produit. Cf. *page 39*.

Contenu de l'emballage

Pour la liste des accessoires en option, consultez axis.com

- Caméra réseau à dôme fixe AXIS Q3505–V
- Clé Torx L
- Connecteur d'E/S
- Joints de câble supplémentaires
 - Joint de câble M20
 - Joint de câble M20–3 mm
- CD d'installation et de gestion
- Documents imprimés
 - Guide d'installation (ce document)
 - Gabarit de perçage (2x)
 - Étiquette supplémentaire reprenant le numéro de série (2x)
 - Clé d'authentification AVHS

Outils recommandés

- Clé Resitorx TR20

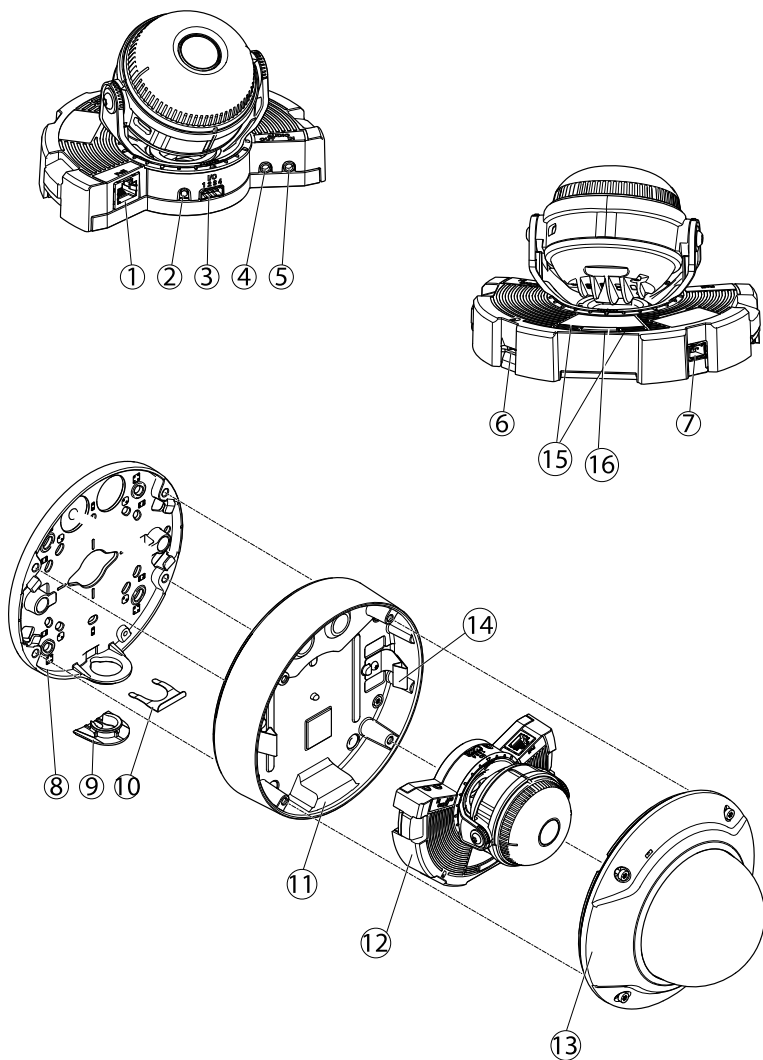
Aperçu du matériel

Note

Objectif 3–9 mm : Si vous appuyez trop fort sur l'objectif en le nettoyant, il peut s'abaisser. Si cela se produit alors que la caméra est en marche, recalibrez le système optique en cliquant sur **Calibrate** (Calibrer) dans la page **Web Server Maintenance** (Maintenance du serveur) (**System Options > Maintenance**) (**Options système > Maintenance**).

AXIS Q3505-V Fixed Dome Network Camera

FRANÇAIS



1. *Connecteur réseau*
2. *Bouton de commande*
3. *Connecteur E/S*
4. *Sortie audio*
5. *Entrée audio*
6. *Emplacement pour carte SD*

7. *Connecteur CA/CC pour les accessoires d'alimentation (modèle extérieur uniquement)*
8. *Support de fixation*
9. *Couvercle latéral*
10. *Clip de verrouillage*
11. *Boîtier de l'unité*
12. *Caméra*
13. *Couvercle de dôme*
14. *Clips de fixation*
15. *Voyant d'état*
16. *Bouton Fonction*

Voyants

Voyant	Couleur	Indication
État	Éteint	Branchement et fonctionnement normal
	Orange	Fixe pendant le démarrage. Clignote pendant la mise à niveau du microprogramme.
	Orange / rouge	Clignote en orange / rouge en cas d'indisponibilité ou de perte de la connexion réseau.
	Rouge	Clignote en rouge en cas d'échec de la mise à niveau du microprogramme.
	Vert	Vert fixe pendant 10 secondes pour indiquer un fonctionnement normal après le redémarrage.

Note

- Le voyant d'état peut être configuré pour clignoter lorsqu'un événement est actif.
- Le voyant d'état peut être configuré pour clignoter pendant l'identification de l'appareil. Rendez-vous dans **Setup > System Options > Maintenance (Configuration > Options du système > Maintenance)**.

Comportement du voyant d'état et du signal sonore pour l'assistant d'alignement

Pour plus d'information sur le bouton Fonction utilisé pour la stabilisation de l'image, consultez *Connecteurs et boutons*.

Couleur	Avertisseur	Position de la caméra
Vert fixe	Signal sonore continu	Droite
Clignote en vert	Intervalle rapide	Presque droite
Orange clignotant	Intervalle intermédiaire	Oblique
Rouge clignotant	Intervalle lent	Très oblique

Connecteurs et boutons

Pour les caractéristiques et les conditions d'utilisation, consultez *page 33*.

Connecteur réseau

Connecteur Ethernet RJ45 avec l'alimentation par Ethernet (PoE).

AVIS

Le produit doit être connecté à l'aide d'un câble réseau blindé (STP). Tous les câbles reliant le produit au commutateur réseau doivent être destinés à leur usage spécifique. Assurez-vous que les périphériques réseau sont installés conformément aux instructions du fabricant. Pour plus d'informations sur les exigences réglementaires, consultez .

Connecteur E/S

Utilisez-le avec des périphériques externes associés aux applications telles que les alarmes de détérioration, la détection de mouvement, le déclenchement d'événements, l'enregistrement par intervalle de temps et les notifications d'alarme. En plus du point de référence 0 V CC et de l'alimentation (sortie CC), le connecteur E/S fournit une interface aux éléments suivants :

- **Sortie numérique** – Permet de connecter des dispositifs externes, comme des relais ou des voyants. Les appareils connectés peuvent être activés par l'interface de programmation VAPIX®, des boutons de sortie sur la page Live View (Vidéo en direct) ou par une règle d'action. La sortie est considérée comme étant active (comme indiqué dans **System Options > Ports Et Devices** (Options du système > Ports et dispositifs)) si le dispositif d'alarme est activé.
- **Entrée numérique** – Entrée d'alarme utilisée pour connecter des dispositifs pouvant passer d'un circuit ouvert à un circuit fermé, par exemple : détecteurs infrarouge passifs, contacts de porte/fenêtre, détecteurs de bris de verre, etc. À la réception d'un signal, l'état change et l'entrée s'active (sous **System Options > Ports Et Devices** (Options du système > Ports et dispositifs)).

Connecteur audio

Le produit Axis dispose des connecteurs audio suivants :

AXIS Q3505–V Fixed Dome Network Camera

- **Entrée audio (rose)** : entrée de 3,5 mm pour microphone mono ou signal d'entrée mono.
- **Sortie audio (verte)** : sortie de 3,5 mm (sortie de ligne) qui peut être connectée à un système de sonorisation (PA) ou à un haut-parleur actif avec amplificateur intégré. Un connecteur stéréo doit être utilisé pour la sortie audio.

Emplacement pour carte SD

Une carte microSD (non fournie) peut être utilisée pour l'enregistrement local sur stockage amovible. Pour en savoir plus, consultez *Caractéristiques techniques page 33*.

AVIS

Pour éviter la corruption des enregistrements, la carte SD doit être démontée avant son retrait. Pour ce faire, rendez-vous dans **Setup > System Options > Storage > SD Card (Configuration > Options du système > Stockage > Carte SD)** et cliquez sur **Unmount (Démonter)**.

Note

Pour obtenir des conseils sur la carte SD, rendez-vous sur www.axis.com

Bouton de commande

Le bouton de commande permet de réaliser les opérations suivantes :

- Réinitialisation du produit aux paramètres d'usine par défaut. Cf. *page 41*.
- Connexion au service du Système d'hébergement vidéo AXIS ou au service AXIS Internet Dynamic DNS. Pour plus d'informations sur ces services, reportez-vous au Manuel de l'utilisateur.

Bouton Fonction

Le bouton Fonction permet de réaliser les opérations suivantes :

- **Assistant d'alignement** : cette fonction permet de s'assurer que l'image est stable. Appuyez sur le bouton pendant environ 2 secondes pour démarrer l'assistant d'alignement et appuyez une nouvelle fois pour le désactiver. Le voyant d'état (cf. *page 30*) et le signal sonore vous aident lors de la stabilisation de l'image. Lorsque l'avertisseur émet un signal sonore continu, cela signifie que l'image est stable.
- **Affichage des voyants d'état** : appuyez sur le bouton une fois pour allumer les voyants d'état. Appuyez à nouveau pour les éteindre. Les voyants s'éteignent automatiquement après 10 secondes.

Câble multiple (vendu séparément)

Le câble multiple peut être acheté auprès d'un revendeur Axis pour connecter un équipement externe au produit Axis. Le câble fournit les connecteurs suivants :

Connecteur audio – Cf. *Connecteurs page 33*

Connecteur E/S – Cf. *Connecteurs page 33*

Connecteur d'alimentation – Connecteur pour alimentation CA et CC pour la connexion aux câbles du convertisseur d'alimentation AXIS T8051 CA/CC au CC (non inclus).

Câbles	Caractéristiques
Rouge	+ CC ou CA
Noir	- CC ou CA

Caractéristiques techniques

Ce produit Axis est uniquement destiné à une utilisation en intérieur.

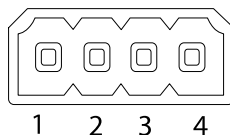
Produit	Classification	Température	Humidité
AXIS Q3505-V	IEC 60529 IP52	De -10 °C à 50 °C (14 °F à 122 °F)	Humidité relative de 10 à 85 % (sans condensation)

Connecteurs

Connecteur d'E/S

Bloc terminal à 4 broches pour :

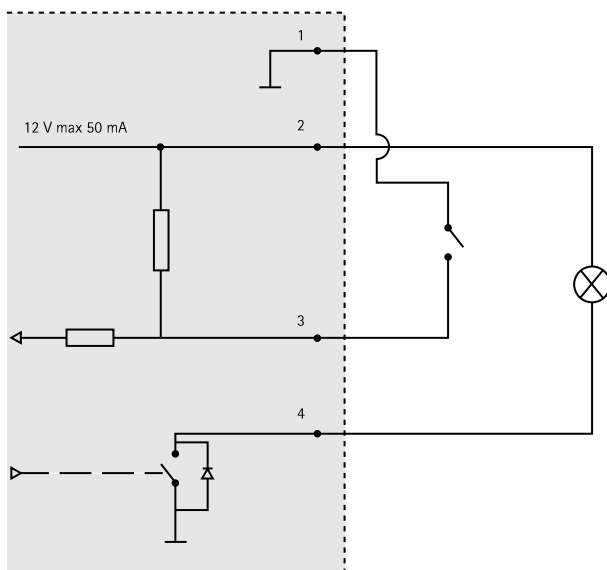
- Alimentation auxiliaire (sortie CC)
- Entrée numérique
- Sortie numérique
- 0 V CC (-)



Fonction	Broche	Notes	Caractéristiques
0 V CC (-)	1		0 V CC

AXIS Q3505-V Fixed Dome Network Camera

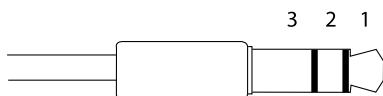
Sortie CC	2	Peut servir à alimenter le matériel auxiliaire. Remarque : cette broche ne peut être utilisée que comme sortie d'alimentation.	12 V CC Charge maximale = 50 mA
Configurable (entrée ou sortie)	3-4	Entrée numérique – Connectez-la à la broche 1 pour l'activer ou laissez-la flotter (déconnectée) pour la désactiver.	0 à 30 V CC
		Sortie numérique – Connectée à la broche 1 lorsqu'elle est activée, flotte (déconnectée) lorsqu'elle est désactivée. Si vous l'utilisez avec une charge inductive, par exemple un relais, une diode doit être connectée en parallèle avec la charge, en guise de protection contre les tensions transitoires.	0 à 30 V CC max., drain ouvert, 100 mA



3. Entrée/sortie configurée comme entrée
4. Entrée/sortie configurée comme sortie

Connecteur audio

Connecteurs audio 3,5 mm (stéréo)



	1 Embout	2 Anneau	3 Manche
Entrée audio	Entrée positive microphone équilibrée/Entrée déséquilibrée micro/Entrée ligne	Entrée microphone équilibrée négative	Mise à la terre
Sortie audio	Sortie ligne (mono)		Mise à la terre

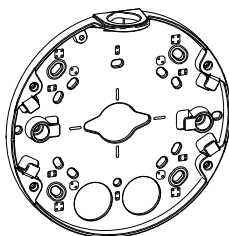
Emplacement pour carte SD



Prise en charge des cartes microSD jusqu'à 64 Go. Pour des performances d'enregistrement optimales, utilisez une carte microSDHC UHS-I ou microSDXC UHS-I. À des températures inférieures à - 25° C, utilisez une carte SD de qualité industrielle.

Installation du matériel



Support de fixation

Le support de fixation dispose de 4 configurations de montage. Les configurations de montage suivent la norme des options de montage suivantes :



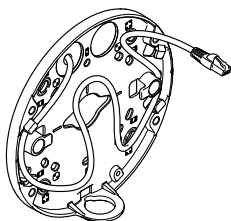
-  : boîtier carré de 4 po
-  : boîtier de jonction américain double de taille normale

AXIS Q3505-V Fixed Dome Network Camera

-  : boîtier octogonal de 4 po
-  : boîtier de jonction américain simple de taille normale

Fixation du support au mur

1. Fixez le support (cf. *Support de fixation page 35*) au mur en utilisant des vis appropriées.
2. Pour acheminer les câbles, consultez *Acheminement des câbles page 36*.
3. Enroulez le câble réseau le long des rainures du support de fixation, en conservant de la longueur supplémentaire, qui pourra servir par la suite.



Acheminement des câbles

Note

Cf. *Aperçu du matériel page 28*.

Selon ce que vous souhaitez faire, passer les câbles le long du mur ou à travers le mur, suivez les instructions correspondantes ci-dessous. Acheminement des câbles à travers le mur :

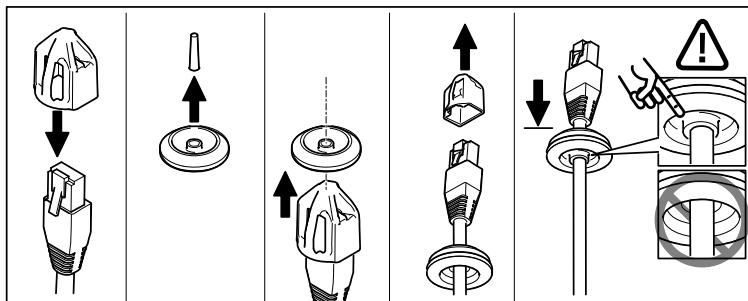
1. Utilisez les 4 trous du gabarit de perçage pour fixer le support et un ou deux trous pour acheminer le ou les câbles dans le mur.
2. Faites passer le câble réseau (ainsi que le câble multiple, si nécessaire) à travers le mur et dans les trous du support de fixation.

Les câbles peuvent être acheminés le long du mur de l'une des façons suivantes :

1. Par le biais du trou latéral du support de fixation. Pour ce faire, détachez le clip de verrouillage et le couvercle latéral du support de fixation. Utilisez un adaptateur de conduit approprié si nécessaire (cf. www.axis.com pour la liste des accessoires en option). Cf. *Aperçu du matériel page 28*.
2. Par le biais du couvercle latéral, après avoir percé un trou dans le couvercle. Remettez le couvercle latéral en place et réinstallez le clip de verrouillage.

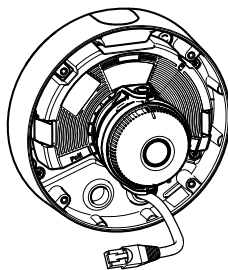
Connexion des câbles et fixation du boîtier de l'unité au support de fixation

1. Insérez la carte mémoire SD dans la caméra (en option).
2. Acheminez le câble réseau et le joint du câble noir à travers les trous du boîtier de l'unité à l'aide du connecteur fourni. Tirez légèrement sur le câble réseau pour que le joint s'ajuste. Il est recommandé d'acheminer le câble à travers le trou le plus éloigné du connecteur réseau de la caméra (cf. image ci-dessous.)



AVIS

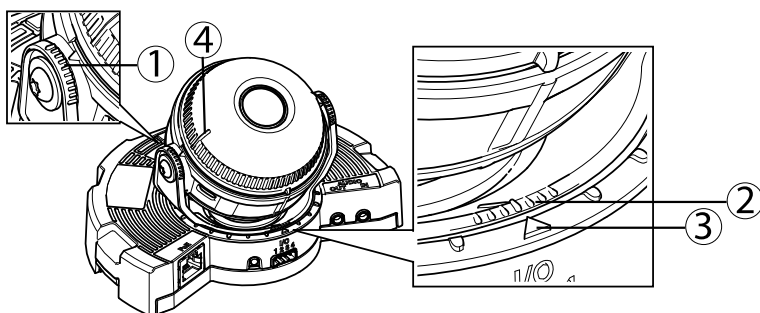
Si vous ne tirez pas sur le câble, il existe un risque d'infiltration d'eau et d'endommagement du produit.



3. Serrez les 4 vis inviolables à l'aide d'une clé Resitorx TR20 pour fixer le boîtier de l'unité au support.
4. Connectez le câble à la caméra.
5. Écartez les ressorts du boîtier de l'unité et fixez la caméra au boîtier.

AXIS Q3505-V Fixed Dome Network Camera

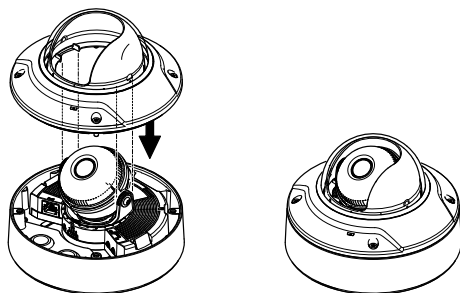
Réglage de l'angle de la caméra



1. Lignes sur le support optique qui indiquent un incrément de l'angle d'inclinaison de 10°
 2. Petites lignes sur la monture optique qui indiquent un incrément sur le plan panoramique de 3°
 3. Lignes sur la monture optique qui indiquent un incrément sur le plan panoramique de 15°
 4. Lignes sur le couvercle de l'objectif permettant de s'assurer que la caméra est à niveau
1. Faites un panoramique, inclinez et faites pivoter la caméra dans la zone surveillée. Il est possible de faire un panoramique de 360° et d'incliner la caméra à 90°.
 2. Faites un panoramique et faites pivoter l'objectif pour ajuster l'image. Utilisez les 2 lignes situées sur le couvercle de l'objectif pour vous assurer que la caméra est à niveau. Utilisez le bouton Fonction pour activer l'assistant de nivellement. Cf. *Bouton Fonction* page 32.

Fixation du couvercle de dôme

1. Assurez-vous que le joint du couvercle de dôme est propre et bien en place.
2. Faites glisser les rainures dans le bouclier de protection noir, sur les vis situées de chaque côté du support optique de la caméra. Alignez les vis du couvercle de dôme sur les trous du boîtier de l'unité et serrez-les à l'aide d'une clé Resitorx TR20.
3. Retirez le film protecteur du couvercle de dôme.



Caméra : AXIS Q3505-V

Accès au produit

Utilisez les outils fournis sur le CD d'installation et de gestion pour attribuer une adresse IP, configurer le mot de passe et accéder au flux de données vidéo. Ces informations sont également disponibles sur les pages d'assistance technique du site www.axis.com/techsup

Focus Et Zoom (Mise au point Et zoom)

Si vous avez sélectionné l'option **Optical zoom for installation** (Zoom optique pour l'installation), procédez comme suit pour régler la mise au point et le zoom.

Pour régler la mise au point et le zoom :

1. Accédez à **Video Et Audio > Focus Et Zoom** (Vidéo et audio > Vidéo > Mise au point et zoom).
2. Dans l'onglet **Basic** (Base), définissez le niveau de **zoom** à l'aide du curseur. Les touches < et > permettent de modifier la position du zoom d'un palier dans chaque direction. Les touches << et >> permettent de modifier la position du zoom de plusieurs paliers dans chaque direction.
3. Cliquez sur **Perform auto focus** (Faire une mise au point automatique) pour effectuer une mise au point automatique de la caméra.
4. Si d'autres réglages sont requis, accédez à l'onglet **Advanced** (Avancé).

Note

- Les mouvements devant la caméra doivent être évités pendant la mise au point automatique

Dans l'onglet **Advanced** (Avancé), la mise au point peut être réglée manuellement :

1. Cliquez sur **Open iris** (Ouvrir l'iris) pour ouvrir l'iris en position maximale. La plus petite profondeur de champ est ainsi obtenue et offre les meilleures conditions pour une mise au point correcte.
2. La mise au point se règle dans la **fenêtre de mise au point**. Utilisez la souris pour déplacer et redimensionner la fenêtre de mise au point.
3. Cliquez dans la barre **Focus position** (Position de mise au point) pour effectuer la mise au point sur un élément spécifique. Les touches < et > permettent de modifier la position de mise au point d'un palier dans chaque direction. Les touches << et >> permettent de modifier la position de mise au point de plusieurs paliers dans chaque direction.
4. Une fois que le réglage vous convient, cliquez sur **Enable iris** (Activer l'iris) pour activer l'iris.

Définir le zoom et la mise au point – Zoom optique pour la surveillance

Pour définir l'option Focus Et Zoom (Mise au point et zoom) lorsque vous avez sélectionné **Optical zoom for monitoring** (Zoom optique pour la surveillance) :

Accédez à **PTZ > Preset Positions** (PTZ > Positions pré-réglées) et suivez les instructions à l'écran pour régler la mise au point. Afin de conserver cette position après redémarrage de la caméra, attribuez un nom au pré-réglage dans le champ **Current position** (Position actuelle) et sélectionnez l'option **Use current position as Home** (Utiliser position actuelle en page d'accueil). Si vous avez calibré le système optique en mode **Optical zoom for monitoring** (Zoom optique pour la surveillance), sélectionnez ce pré-réglage dans la liste déroulante **Available positions** (Positions disponibles) de la page Web **Preset Positions** (Positions pré-réglées). Cliquez sur **Go to** (Accéder) et **Save** (Enregistrer).

Pour limiter la mise au point et le zoom :

Accédez à **Video Et Audio > Focus Et Zoom** (Vidéo et audio > Mise au point et zoom).

Sélectionnez une valeur **Zoom tele limit** (Limite zoom) pour limiter le zoom maximal de la caméra. Le niveau de zoom numérique est indiqué par la lettre D. Pour vérifier la limite du zoom, cliquez sur **Go to** (Accéder).

Réglez l'option **Focus near limit** (Limite de mise au point proche) de façon à éviter la mise au point sur des objets se trouvant trop près de la caméra.

Il est possible de régler la mise au point et le zoom depuis cette page, mais la mise au point sera perdue au redémarrage de la caméra.

Réinitialisation aux paramètres d'usine par défaut

Important

La réinitialisation aux paramètres d'usine par défaut doit être utilisée avec prudence. Cette opération reconfigure tous les paramètres, y compris l'adresse IP, aux valeurs d'usine par défaut.

Note

Les logiciels d'installation et de gestion sont disponibles sur le CD fourni avec le produit et sur les pages d'assistance du site www.axis.com/techsup

Pour réinitialiser l'appareil aux paramètres d'usine par défaut :

1. Déconnectez l'alimentation de l'appareil.
2. Maintenez le bouton de commande enfoncé et remettez l'appareil sous tension. Consultez *Aperçu du matériel* page 28.
3. Maintenez le bouton de commande enfoncé pendant 15–30 secondes, jusqu'à ce que le voyant d'état passe à l'orange et clignote.
4. Relâchez le bouton de commande. Le processus est terminé lorsque le voyant d'état passe au vert. Les paramètres d'usine par défaut de l'appareil ont été rétablis. En l'absence d'un serveur DHCP sur le réseau, l'adresse IP par défaut est 192.168.0.90.
5. Utilisez les outils d'installation et de gestion pour attribuer une adresse IP, configurer le mot de passe et accéder au flux de données vidéo.

Il est également possible de rétablir les paramètres d'usine à partir de l'interface Web. Accédez à **Setup > System Options > Maintenance** (Configuration > Options du système > Maintenance) (Configuration > Configuration du contrôleur supplémentaire > Configuration > Options du système > Maintenance).

Pour obtenir plus de renseignements

Le Manuel de l'utilisateur est disponible à l'adresse suivante : www.axis.com

Consultez le site www.axis.com/techsup pour vérifier si des mises à jour des logiciels sont disponibles pour votre appareil réseau. Pour connaître la version du micrologiciel actuellement installée, reportez-vous à la page **Setup > About** (Configuration > À propos de).

Visitez le centre d'apprentissage en ligne Axis sur le site www.axis.com/academy pour en savoir plus sur les formations, les webinaires, les tutoriels et les guides.

Informations sur la garantie

Pour obtenir plus d'amples informations sur la garantie du produit AXIS et des renseignements connexes, allez sur le site www.axis.com/warranty/

Sicherheitsinformation

Lesen Sie das Installationshandbuch sorgfältig durch bevor sie das Produkt installieren. Bewahren Sie das Installationshandbuch für zukünftige Zwecke auf.

Gefährdungsstufen

▲GEFAHR

Weist auf eine gefährliche Situation hin, welche, falls nicht verhindert, zu Tod oder schweren Verletzungen führt.

▲WARNUNG

Weist auf eine gefährliche Situation hin, welche, falls nicht verhindert, zu Tod oder schweren Verletzungen führen kann.

▲VORSICHT

Weist auf eine gefährliche Situation hin, welche, falls nicht verhindert, zu geringfügiger oder mäßiger Verletzung führen kann.

HINWEIS

Weist auf eine gefährliche Situation hin, welche, falls nicht verhindert, zu Sachschäden führen kann.

Weitere Nachrichtenstufen

Wichtig

Weist auf wichtige Informationen hin, die den richtigen Betrieb des Produkts gewährleisten.

Beachten

Weist auf nützliche Informationen hin, die die optimale Verwendung des Produkts unterstützen.

Sicherheitsanweisungen

HINWEIS

- Die Anwendung des Axis Produkts muss unter Beachtung der örtlich geltenden rechtlichen Bestimmungen erfolgen.
- Bei der Anwendung von Axis Produkten im Außenbereich oder ähnlichen Umgebungen, müssen diese in zugelassenen Außengehäusen installiert werden.
- Lagern Sie das Axis Produkt in einer trockenen und belüfteten Umgebung.
- Achten Sie darauf, dass das Axis Produkt weder Stößen noch starkem Druck ausgesetzt ist.
- Installieren Sie das Produkt nicht an instabilen Halterungen, Oberflächen oder Wänden.
- Verwenden Sie bei der Installation des Axis Produkts ausschließlich passende Werkzeuge. Ein zu großer Kraftaufwand kann das Produkt beschädigen.
- Verwenden Sie keine chemischen, ätzenden oder aerosolhaltigen Reinigungsmittel. Verwenden Sie zum Reinigen ein sauberes, mit lauwarmem Wasser angefeuchtetes Tuch.
- Verwenden Sie nur Zubehör, das den technischen Daten des Produkts entspricht. Dieses ist von Axis oder Drittanbietern erhältlich.
- Verwenden Sie ausschließlich Ersatzteile die von Axis bereitgestellt oder empfohlen werden.
- Versuchen Sie nicht, das Produkt selbstständig zu reparieren. Wenden Sie sich bezüglich Reparatur und Wartung an den Axis Support oder Ihren Axis Händler.

Transport

HINWEIS

- Bei Bedarf transportieren Sie das Axis Produkt in der Originalverpackung oder einer entsprechenden Verpackung, so dass Schäden vermieden werden.

Batterie

Das Axis-Produkt ist mit einer 3,0 V-BR/CR2032-Lithium-Batterie ausgestattet, mit der die interne Echtzeituhr (RTC) versorgt wird. Unter normalen Bedingungen hat die Batterie eine Lebensdauer von mindestens fünf Jahren.

Bei entladener Batterie ist der Betrieb der Echtzeituhr nicht mehr gewährleistet, sodass die Uhr bei jedem Systemstart zurückgesetzt wird. Sie erhalten eine Protokollnachricht im Serverbericht des Produkts wenn ein Batteriewechsel erforderlich ist. Weitere Informationen über den Serverbericht finden Sie auf den Setup-Seiten des Produkts, oder wenden Sie sich an den Axis-Support.

Die Batterie sollte nur bei Bedarf ersetzt werden. Wenden Sie sich in diesem Fall an den Axis Support unter www.axis.com/techsup.

⚠WARNUNG

- Explosionsgefahr bei fehlerhaftem Batteriewechsel.
- Die Batterie darf nur durch eine identische Batterie oder eine von Axis empfohlene Batterie ersetzt werden.
- Verbrauchte Batterien sind gemäß den örtlichen Vorschriften oder den Anweisungen des Herstellers zu entsorgen.

Kuppelabdeckung

HINWEIS

- Achten Sie darauf die Kuppelabdeckung weder zu zerkratzen, zu beschädigen oder darauf Fingerabdrücke zu hinterlassen, da dies die Bildqualität beeinträchtigen kann. Falls möglich entfernen Sie die Schutzfolie erst nachdem die Installation abgeschlossen ist.
- Säubern Sie niemals eine Kuppelabdeckung, wenn diese sauber erscheint, und polieren Sie keinesfalls die Oberfläche. Zu häufiges Säubern kann die Oberfläche beschädigen.
- Für die normale Reinigung der Kuppelabdeckung werden eine nicht-scheuernde, lösungsmittelfreie neutrale Seife oder ein entsprechendes Reinigungsmittel mit sauberem Wasser und ein sauberer, weicher Lappen empfohlen. Spülen Sie die Kuppelabdeckung gründlich mit lauwarmem, sauberem Wasser ab. Trocknen Sie die Kuppelabdeckung mit einem weichen, sauberen Lappen, um Wasserflecken zu vermeiden.
- Verwenden Sie niemals starke Reinigungsmittel, Benzin, Benzol oder Aceton etc. und vermeiden Sie, die Kuppelabdeckung im direkten Sonnenlicht oder bei erhöhten Temperaturen zu säubern.

Installationsanleitung

In dieser Anleitung wird die Installation der festen Dome-Netzwerk-Kamera AXIS Q3505–V in Ihrem Netzwerk beschrieben. Weitere Informationen zur Nutzung dieses Produktes finden Sie im Benutzerhandbuch unter www.axis.com.

Installationschritte

1. Stellen Sie sicher, dass die Packungsinhalte, Werkzeuge und andere notwendige Materialien für die Installation in Ordnung sind. Siehe *Seite 47*.
2. Machen Sie sich mit der Hardware-Übersicht vertraut. Siehe *Seite 48*.
3. Machen Sie sich mit den technischen Daten vertraut. Siehe *Seite 53*.
4. Installieren Sie die Hardware. Siehe *Seite 55*.
5. Zugriff auf das Produkt. Siehe *Seite 59*.

Lieferumfang

Optionales Zubehör unter axis.com

- AXIS Q3505–V Feste Dome-Netzwerk-Kamera
- Torx L-Sicherheitsschlüssel
- E/A-Anschluss
- Zusätzliche Kabeldichtungen
 - Kabeldichtung M20
 - Kabeldichtung M20–3 mm
- CD-ROM mit Installations- und Verwaltungssoftware
- Dokumente
 - Installationsanleitung (dieses Dokument)
 - Bohrschablone (2x)
 - Zusätzliche Etiketten mit der Seriennummer (2x)
 - AVHS-Authentifizierungsschlüssel

Empfohlene Werkzeuge

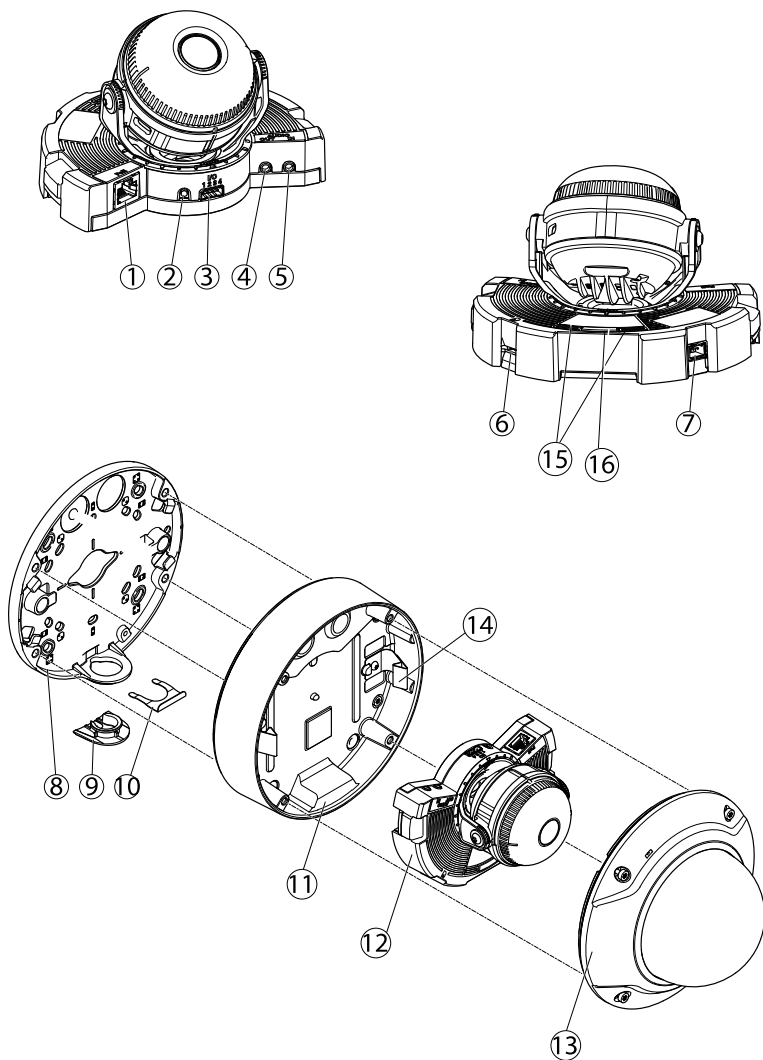
- Resitorx-Schlüssel TR20

Übersicht über die Hardware

Beachten

3–9-mm-Objektiv: Zu hoher Druck bei der Reinigung kann dazu führen, dass sich das Objektiv nach unten verstellt. Geschieht dies während sich die Kamera in Betrieb befindet, können Sie die Kamera neu kalibrieren, indem Sie auf der Website **Server Maintenance** (Serverwartung) unter **System Options** (Systemoptionen) > **Maintenance** (Wartung) auf **Calibrate** (Kalibrieren) klicken.

AXIS Q3505-V Fixed Dome Network Camera



1. *Netzwerkanschluss*
2. *Stuertaste*
3. *E/A-Anschluss*
4. *Audioausgang*
5. *Audioeingang*
6. *SD-Kartensteckplatz*

AXIS Q3505-V Fixed Dome Network Camera

7. Wechselstrom-/Gleichstromanschluss für Zubehör (nur beim Modell für den Außenbereich)
8. Montagehalterung
9. Seitenabdeckung
10. Feststellklemme
11. Kameragehäuse
12. Kameraeinheit
13. Kuppelabdeckung
14. Federn im Kameragehäuse
15. Status-LED
16. Funktionstaste

LED-Anzeigen

LED	Farbe	Bedeutung
Status	Leuchtet nicht	Anschluss und Normalbetrieb
	Gelb	Leuchtet beim Start. Blinkt bei der Firmware-Aktualisierung.
	Gelb/rot	Blinkt gelb/rot, wenn die Netzwerkverbindung nicht verfügbar ist oder unterbrochen wurde.
	Rot	Blinkt rot bei einem Fehler während der Firmware-Aktualisierung.
	Grün	Leuchtet bei Normalbetrieb nach dem Start 10 Sekunden lang grün.

Beachten

- Die Status-LED kann so eingestellt werden, dass sie blinkt, wenn ein Ereignis aktiv ist.
- Die Status-LED kann so eingestellt werden, dass sie blinkt, wenn die Einheit erkannt wird. Rufen Sie **Setup > System Options > Maintenance** (Einrichtung > Systemoptionen > Wartung) auf.

Verhalten der LED-Statusanzeige und Summton für den Ausrichtungsassistenten

Informationen zur Verwendung der Funktionstaste bei der Ausrichtung des Bilds finden Sie unter *Anschlüsse und Tasten*.

Farbe	Summer	Kameraposition
Durchgehend grün	Durchgehender Ton	Ausgerichtet
Grün blinkend	Kurzes Intervall	Nahezu ausgerichtet
Orange blinkend	Mittellanges Intervall	Nicht ausgerichtet
Rot blinkend	Langes Intervall	Unzureichend ausgerichtet

Anschlüsse und Tasten

Für die technischen Daten und Betriebsbedingungen siehe *Seite 53*.

Netzwerkanschluss

RJ45-Ethernetanschluss mit Power over Ethernet (PoE).

HINWEIS

Das Produkt muss mit einem abgeschirmten Netzkabel (STP) angeschlossen werden. Alle Kabel, die das Produkt mit dem Netzwerkschalter verbinden, müssen hierfür ausgelegt sein. Stellen Sie sicher, dass die Netzwerkgeräte gemäß den Anweisungen des Herstellers installiert wurden. Informationen zu gesetzlichen Bestimmungen finden Sie unter .

E/A-Anschluss

Zur Verwendung mit externen Geräten wie zum Beispiel in Verbindung mit Manipulationsalarmen, Bewegungserkennung, Ereignisauslösung, Zeitrafferaufnahmen und Alarmbenachrichtigungen. Abgesehen vom 0 V DC-Bezugspunkt und Strom (Gleichstromausgang) verfügt die E/A-Klemmenleiste über eine Schnittstelle zu:

- **Digitalausgang** – zum Anschluss externer Geräte wie Relais und LEDs. Angeschlossene Geräte können über die VAPIX® Application Programming Interface (Programmierschnittstelle) mit den Schaltflächen für den Ausgang auf der Seite „Live View“ oder durch eine Aktionsregel aktiviert werden. Der Ausgang wird als aktiv (siehe **System Options > Ports & Devices** (Systemoptionen > Anschlüsse und Geräte)) angezeigt, wenn das Alarmmeldegerät aktiviert ist.
- **Digitaleingang** – Alarmeinang für den Anschluss von Geräten, die zwischen geöffnetem und geschlossenem Schaltkreis wechseln können, z. B.: PIR-Sensoren, Tür-/Fensterkontakte, Glasbruchmelder usw. Bei Empfang eines Signals ändert sich der Status und der Eingang wird aktiviert (siehe **System Options > Ports & Devices** (Systemoptionen > Anschlüsse & Geräte)).

Audioanschlüsse

Das Axis Produkt ist mit den folgenden Audioanschlüssen ausgestattet:

AXIS Q3505–V Fixed Dome Network Camera

- **Audioeingang (rosa)** – 3,5-mm-Anschluss für ein Monomikrofon oder ein Monosignal.
- **Audioausgang (grün)** – 3,5-mm-Audioausgang (Leitungspegel) zum Anschließen einer Rundrufanlage (PA) oder eines Aktivlautsprechers mit integriertem Verstärker. Für den Audioausgang muss ein Stereostecker verwendet werden.

SD-Kartensteckplatz

Zur lokalen Aufzeichnung mit Wechselmedien kann eine microSD-Speicherkarte (nicht im Lieferumfang enthalten) verwendet werden. Für weitere Informationen siehe *Technische Daten auf Seite 53*.

HINWEIS

Um einer Beschädigung der Aufnahmen vorzubeugen, sollte die SD-Karte vor dem mechanischen Auswerfen getrennt (deaktiviert) werden. Rufen Sie zum Trennen **Setup > System Options > Storage > SD Card (Einrichtung > Systemoptionen > Speicher > SD-Karte)** auf und klicken Sie auf **Unmount (Trennen)**.

Beachten

Empfehlungen zu SD-Karten finden Sie unter www.axis.com.

Steuertaste

Die Steuertaste hat folgende Funktionen:

- Zurücksetzen des Produkts auf Werkseinstellungen. Siehe *Seite 60*.
- Verbinden mit einem AXIS Video Hosting System-Service oder einem AXIS Internet Dynamic DNS-Service. Weitere Informationen zu diesen Diensten finden Sie in der Bedienungsanleitung.

Funktionstaste

Die Funktionstaste hat mehrere Aufgaben:

- **Ausrichtungsassistent** – Diese Funktion unterstützt Sie bei der Ausrichtung des Bilds. Drücken Sie die Taste ca. 2 Sekunden lang, um den Ausrichtungsassistenten zu starten. Drücken Sie die Taste erneut, um den Ausrichtungsassistenten zu beenden. Die LED-Statusanzeige (siehe *Seite 50*) und der Summton unterstützen Sie bei der Ausrichtung des Bilds. Das Bild ist korrekt ausgerichtet, wenn der Summton durchgehend ertönt.
- **Kontrolle der Status-LEDs** – Drücken Sie die Taste einmal, leuchten die Status-LEDs auf. Drücken Sie die Taste erneut, erlöschen die LEDs. Die LEDs werden nach zehn Sekunden automatisch ausgeschaltet.

Mehrfachkabel (separat erhältlich)

Das Mehrfachkabel zum Anschluss von Zubehör an das Axis Produkt erhalten Sie von Ihrem Axis Händler. Das Kabel weist folgende Anschlüsse auf:

Audioanschlüsse – Siehe *Anschlüsse auf Seite 53*.

E/A-Anschluss – Siehe *Anschlüsse auf Seite 53*.

Netzanschluss – Anschluss für Wechsel- und Gleichstrom für die Verbindung mit den Leitungen des Spannungsumformers AXIS T8051 (Wechsel-/Gleichstrom zu Gleichstrom, nicht im Lieferumfang enthalten).

Leitungen	Technische Daten
Rot	Gleichstrom (+) oder Wechselstrom
Schwarz	Gleichstrom (-) oder Wechselstrom

Technische Daten

Dieses Axis Produkt ist für die Verwendung in Innenräumen ausgelegt.

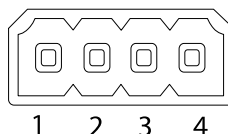
Produkt	Klassifikation	Temperatur	Luftfeuchtigkeit
AXIS Q3505-V	IEC 60529 IP52	-10 °C bis 50 °C	10 bis 85 % relative Luftfeuchtigkeit (nicht kondensierend)

Anschlüsse

E/A-Anschluss

4-poliger Anschlussblock für:

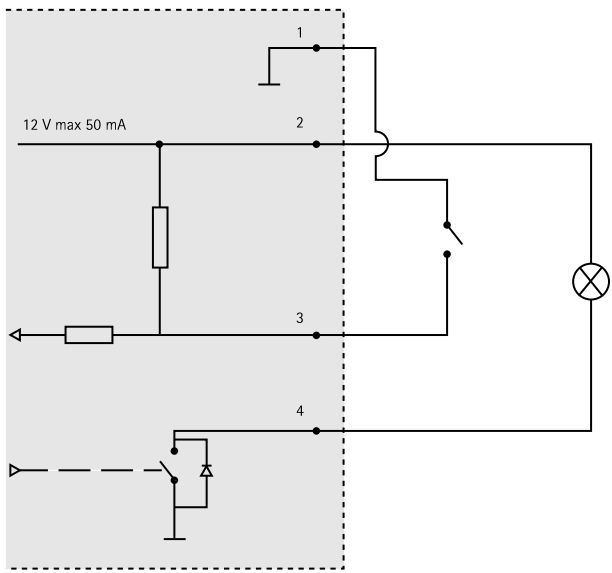
- Zusatzstromversorgung (Gleichstromausgang)
- Digitaleingang
- Digitalausgang
- 0 V DC (-)



Funktion	Kontakt	Hinweise	Technische Daten
0 V DC (-)	1		0 V DC

AXIS Q3505-V Fixed Dome Network Camera

Gleichstromausgang	2	Kann für die Stromversorgung von Zusatzgeräten verwendet werden. Hinweis: Dieser Kontakt kann nur für den Stromausgang verwendet werden.	12 V DC Max. Stromstärke = 50 mA
Konfigurierbar (Ein- oder Ausgang)	3-4	Digitaleingang – Zum Aktivieren mit Pin 1 verbinden; zum Deaktivieren nicht anschließen.	0 bis max. 30 V DC
		Digitalausgang – Bei Aktivierung mit Pin 1 verbunden; wenn deaktiviert: frei (nicht verbunden). Bei Verwendung mit einer induktiven Last, z. B. einem Relais, muss parallel zur Last zum Schutz vor Spannungsspitzen eine Diode zwischengeschaltet werden.	0 bis max. 30 V DC, Open Drain, 100 mA



- 3. E/A als Eingang konfiguriert
- 4. E/A als Ausgang konfiguriert

Audioanschlüsse

3,5-mm-
Audioanschlüsse
(stereo)



	1 Spitze	2 Ring	3 Schaft
Audio- eingang	Symmetrischer Mikrofon-Pluseingang (+)/unsymmetrischer Mikrofon-/Leitungseingang	Symmetrischer Mikrofon-Minuseingang (-)	Masse
Audio- ausgang	Leitungsausgang (mono)		Masse

SD-Kartensteckplatz

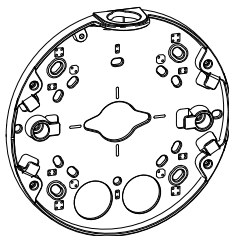
Unterstützt microSD-Karten mit bis zu 64 GB Speicherplatz. Verwenden Sie eine microSDHC UHS-I- oder microSDXC UHS-I-Karte, um optimale Aufzeichnungsergebnisse zu erzielen. Verwenden Sie bei Temperaturen unterhalb von -25° C eine SD-Karte in Industriequalität.



DEUTSCH



Installieren der Hardware

Montagehalterung

Die Montagehalterung weist vier Montagemuster auf. Die Montagmuster folgen der Norm für die folgenden Montageoptionen:

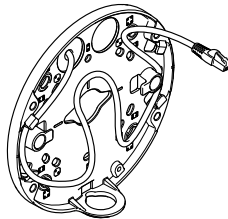


-  : Quadratische 4"-Anschlussdose
-  : Standard-US-Doppelverteilerdose

-  : Achteckige 4"-Anschlussdose
-  : Standard-US-Anschlussdose

Anbringen der Halterung an der Wand

1. Bringen Sie die Halterung (siehe *Montagehalterung auf Seite 55*) mit geeigneten Schrauben an der Wand an.
2. Anweisungen zur Kabelführung finden Sie unter *Ziehen der Kabel auf Seite 56*.
3. Wickeln Sie das Netzkabel entlang der Nuten an der Halterung. Die zusätzliche Kabellänge kann sich später als nützlich erweisen.



Ziehen der Kabel

Beachten

Siehe *Übersicht über die Hardware auf Seite 48*.

Befolgen Sie abhängig davon, ob Sie die Kabel durch die Wand oder an der Wand entlang führen möchten, die entsprechenden nachstehenden Anweisungen. Für die Verlegung der Kabel durch die Wand:

1. Bohren Sie anhand der Bohrschablone vier Löcher für die Halterung und, je nach Bedarf, ein oder zwei Löcher zur Führung des Kabels bzw. der Kabel in die Wand.
2. Führen Sie das Netzkabel (und ggf. das Mehrfachkabel) durch die Wand und durch die Bohrung bzw. die Bohrungen in der Halterung.

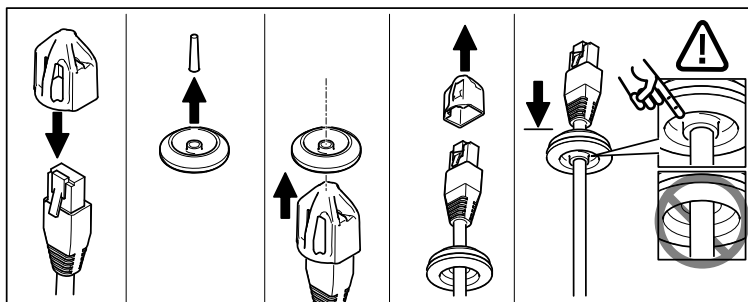
Die Kabel können auf folgende Arten entlang der Wand geführt werden:

1. Durch die seitliche Bohrung in der Montagehalterung. Nehmen Sie hierzu die Feststellklemme und die Seitenabdeckung der Montagehalterung ab. Verwenden Sie ggf. einen passenden Kabelkanal-Adapter. (Optionales Zubehör finden Sie unter www.axis.com.) Siehe *Übersicht über die Hardware auf Seite 48*.

2. Durch die Seitenabdeckung, nachdem in diese ein Loch für das Kabel gebohrt wurde. Bringen Sie die Seitenabdeckung wieder an, und arretieren Sie diese mit der Feststellklemme.

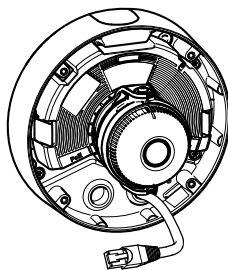
Anschließen der Kabel und Anbringen des Kameragehäuses an der Halterung

1. Setzen Sie die SD-Speicherkarte in die Kameraeinheit ein (optional).
2. Führen Sie das Netzkabel mithilfe des mitgelieferten Anschlussstücks durch die schwarze Kabeldichtung in einer der Bohrungen am Kameragehäuse. Ziehen Sie das Netzkabel ein wenig zurück, bis die Kabeldichtung korrekt um das Kabel sitzt. Es wird empfohlen, das Kabel durch die Bohrung zu führen, die am weitesten vom Netzkanschluss im Kameragehäuse entfernt ist. (Siehe folgende Abbildung.)



HINWEIS

Wird das Kabel nicht zurückgezogen, kann Wasser in das Gehäuse eindringen und das Produkt beschädigen.

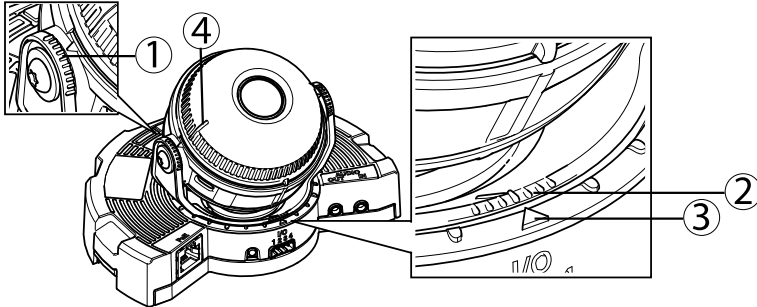


3. Bringen Sie das Kameragehäuse an der Halterung an, indem Sie die vier manipulationssicheren Schrauben mit dem Resitorx-Schlüssel TR20 festziehen.
4. Schließen Sie das Kabel an die Kameraeinheit an.

AXIS Q3505-V Fixed Dome Network Camera

5. Ziehen Sie die Federn im Kameragehäuse zur Seite, und setzen Sie die Kameraeinheit in dieses ein.

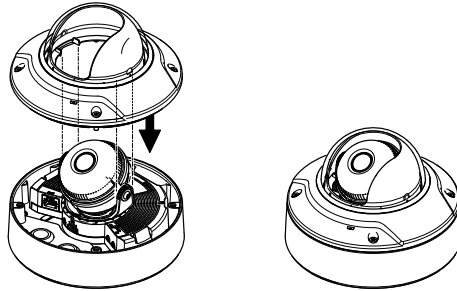
Einstellen des Kamerawinkels



1. *Markierungslinien auf der Optikhalterung, die eine Erhöhung des Neigungswinkels um 10° angeben*
 2. *Feine Markierungslinien auf der Optikhalterung, die eine Erhöhung des Schwenkwinkels um 3° angeben*
 3. *Markierungslinien auf der Optikhalterung, die eine Erhöhung des Schwenkwinkels um 15° angeben*
 4. *Hilfslinien für die Ausrichtung der Kamera auf der Objektivabdeckung*
1. Stellen Sie die Kamera durch Schwenken, Neigen und Drehen auf den gesamten zu überwachen Bereich ein. Die Kamera lässt sich um 360° schwenken und um bis zu 90° neigen.
 2. Stellen Sie das Bild durch Schwenken und Drehen des Objektivs ein. Prüfen Sie die Ausrichtung der Kamera mithilfe der beiden Linien auf der Objektivabdeckung. Aktivieren Sie den Ausrichtungsassistenten mithilfe der Funktionstaste. Siehe *Funktionstaste auf Seite 52*.

Anbringen der Kuppelabdeckung

1. Stellen Sie sicher, dass die Gummidichtung der Kuppelabdeckung sauber ist und richtig sitzt.
2. Schieben Sie die Aussparungen im schwarzen Schild über die Schrauben auf beiden Seiten der Optikhalterung der Kamera. Richten Sie die Schrauben der Kuppelabdeckung auf die Bohrungen im Kameragehäuse aus, und ziehen Sie die Schrauben mit dem Resitorx-Schlüssel TR20 fest.
3. Entfernen Sie die Schutzfolie von der Kuppelabdeckung.



Kameraeinheit: AXIS Q3505-V

Zugriff auf das Produkt

Verwenden Sie die bereitgestellten Tools der Installations- und Management-Software-CD, um eine IP-Adresse zuzuordnen, ein Passwort einzurichten und auf den Videostream zuzugreifen. Diese Information finden Sie ebenso auf den Support-Seiten unter www.axis.com/techsup/

DEUTSCH

Focus & Zoom

Führen Sie die folgenden Anweisungen zum Einstellen von Fokus und Zoom durch, wenn Sie **Optical zoom for monitoring** (Optischer Zoom für die Überwachung) ausgewählt haben:

Einstellen von Fokus und Zoom:

1. Rufen Sie **Video & Audio (Audio und Video) > Focus & Zoom (Fokus und Zoom)** auf.
2. Stellen Sie auf der Registerkarte **Basic** (Grundeinstellungen) den **Zoom** mithilfe des Schiebereglers ein. Mit den Tasten **<** und **>** wird die Zoomposition einen Schritt in die jeweilige Richtung bewegt. Mit den Tasten **<<** und **>>** wird die Zoomposition mehrere Schritte in die jeweilige Richtung bewegt.
3. Klicken Sie auf **Perform auto focus** (Automatisch fokussieren), um die Kamera automatisch zu fokussieren.
4. Wenn Sie weitere Einstellungen vornehmen möchten, rufen Sie die Registerkarte **Advanced** (Erweitert) auf.

Beachten

- Bei automatischer Fokussierung sollten Bewegungen vor der Kamera vermieden werden.

Auf der Registerkarte **Advanced** (Erweitert) kann der Fokus manuell eingestellt werden:

1. Klicken Sie auf **Open iris** (Blende öffnen), um die Blende in der Maximalstellung zu öffnen. Dadurch wird die geringste Schärfentiefe erreicht, wodurch für die Fokussierung die optimalen Bedingungen gegeben sind.

2. Der Fokus wird im Fenster **Focus** (Fokus) eingestellt. Mithilfe der Maus können Sie das Fokusfenster verschieben und dessen Größe verändern.
3. Wählen Sie in der Leiste **Focus position** (Fokusposition) den gewünschten Fokus aus. Mit den Tasten < und > wird die Fokusposition einen Schritt in die jeweilige Richtung bewegt. Mit den Tasten << und >> wird die Fokusposition mehrere Schritte in die jeweilige Richtung bewegt.
4. Klicken Sie auf **Enable iris** (Blende aktivieren) sobald Sie zufrieden sind.

Einstellen von Zoom und Fokus – Optischer Zoom für die Überwachung

Einstellen von Fokus und Zoom nach der Auswahl von **Optical zoom for monitoring** (Optischer Zoom für die Überwachung):

Wählen Sie **PTZ > Preset Positions** (Positionsvoreinstellungen) aus, und befolgen Sie die Onlineanweisungen zum Einstellen des Fokus. Geben Sie im Feld **Current position** (Aktuelle Position) einen Namen für diese Voreinstellung ein, und wählen Sie die Option **Use current position as Home** (Aktuelle Position als Ausgangsposition verwenden) aus, um diese Fokusposition nach einem Kameraneustart beizubehalten. Wenn Sie die Optik im Modus **Optical zoom for monitoring** (Optischer Zoom für die Überwachung) kalibrieren, wählen Sie diese Voreinstellung aus der Dropdownliste **Available positions** (Verfügbare Positionen) auf der Webseite **Preset Positions** (Positionsvoreinstellungen) aus. Klicken Sie auf **Go to** (Gehe zu) und **Save** (Speichern).

Einstellen der Grenzen für Fokus und Zoom:

Rufen Sie **Video & Audio** (Audio und Video) > **Focus & Zoom** (Fokus und Zoom) auf.

Begrenzen Sie den maximalen Zoom der Kamera, indem Sie ein **Zoom tele limit** (Maximalzoomlimit) einstellen. Die Digitalzoomstufe wird mit dem Buchstaben D gekennzeichnet. Prüfen Sie das Maximalzoomlimit, indem Sie auf **Go to** (Gehe zu) klicken.

Stellen Sie ein **Focus near limit** (Nahbereichsfokuslimit) ein, um zu verhindern, dass die Kamera Objekte unmittelbar vor dem Objektiv fokussiert.

Es ist möglich den Fokus und den Zoom auf dieser Seite einzustellen, jedoch wird der Fokus bei einem Kameraneustart nicht beibehalten.

Zurücksetzen auf Werkseinstellungen

Wichtig

Das Zurücksetzen auf die Werkseinstellungen sollte mit Vorsicht verwendet werden. Beim Zurücksetzen auf die Werkseinstellungen werden alle Einstellungen einschließlich der IP-Adresse auf die Werkseinstellungen zurückgesetzt.

Beachten

Die Software-Tools für Installation und Verwaltung sind auf der mit dem Produkt ausgelieferten CD-ROM und über die Supportseiten unter www.axis.com/techsup verfügbar.

So wird das Produkt auf die Werkseinstellungen zurückgesetzt:

1. Trennen Sie das Produkt von der Stromversorgung.
2. Halten Sie die Steuertaste gedrückt und stecken Sie den Netzstecker wieder ein. Siehe *Übersicht über die Hardware auf Seite 48*.
3. Halten Sie die Steuertaste etwa 15–30 Sekunden gedrückt, bis die LED-Statusanzeige gelb blinkt.
4. Lassen Sie die Steuertaste los. Der Vorgang ist abgeschlossen, wenn die LED-Statusanzeige grün leuchtet. Das Produkt wurde auf die Werkseinstellungen zurückgesetzt. Wenn kein DHCP-Server im Netzwerk verfügbar ist, lautet die Standard-IP-Adresse 192.168.0.90.
5. Verwenden Sie die Software-Tools für Installation und Verwaltung, um eine IP-Adresse zuzuweisen, ein Kennwort einzurichten und auf den Videostream zuzugreifen.

Die Parameter können auch über die Weboberfläche auf die Werkseinstellungen zurückgesetzt werden. Rufen Sie **Setup > System Options > Maintenance (Setup > Systemoptionen > Wartung)** auf.

Weitere Informationen

Das Benutzerhandbuch finden Sie unter www.axis.com.

Unter www.axis.com/techsup finden Sie Firmware-Aktualisierungen für Ihre Netzwerkprodukte. Um die aktuell installierte Firmware-Version zu sehen, gehen Sie auf **Setup > About (Einrichten > Über)**.

Besuchen Sie das Axis-Schulungszentrum www.axis.com/academy für anregende Schulungen, Webinare, Lernprogramme und Anleitungen.

Garantieinformationen

Informationen zur Garantie der Axis Produkte und hierzu verbundene Informationen, finden Sie unter www.axis.com/warranty/

Informazioni di Sicurezza

Leggere questa Guida all'Installazione prima di installare il prodotto. Conservare la Guida all'Installazione per usi futuri.

Livelli di pericolo

▲PERICOLO

Indica una situazione pericolosa che, se non evitata, provoca morte o lesioni gravi.

▲AVVERTENZA

Indica una situazione pericolosa che, se non evitata, può provocare la morte o lesioni gravi.

▲ATTENZIONE

Indica una situazione pericolosa che, se non evitata, può provocare lesioni medie o minori.

AWISO

Indica una situazione che, se non evitata, può danneggiare la proprietà.

Livelli altro messaggio

Importante

Indica informazioni importanti, essenziali per il corretto funzionamento del prodotto.

Nota

Indica informazioni utili che aiutano a ottenere il massimo dal prodotto.

Istruzioni di sicurezza

AVISO

- Il prodotto Axis deve essere utilizzato in conformità alle leggi e alle disposizioni locali.
- Per utilizzare il prodotto Axis in ambienti esterni, o in ambienti simili, deve essere installato in una custodia per esterni approvata.
- Conservare il prodotto Axis in un ambiente asciutto e ventilato.
- Evitare di esporre il prodotto Axis a urti o pressioni eccessive.
- Non installare il prodotto su supporti, superfici o pareti instabili.
- Utilizzare solo strumenti applicabili quando si installa il prodotto Axis. Una forza eccessiva può causare danni al prodotto.
- Non utilizzare sostanze chimiche, agenti caustici o detergenti aerosol. Utilizzare un panno pulito inumidito in acqua pura per la pulizia.
- Utilizzare solo accessori compatibili con le specifiche tecniche del prodotto. Questi possono essere forniti da Axis o da terze parti.
- Utilizzare solo parti di ricambio fornite o consigliate da Axis.
- Non tentare di riparare il prodotto da soli. Contattare l'assistenza o il rivenditore Axis per questioni relative alla manutenzione.

Trasporti

AVISO

- Durante il trasporto del prodotto Axis, utilizzare l'imballaggio originale o equivalente per evitare danni al prodotto.

Batteria

Il prodotto Axis utilizza una batteria al litio da 3,0 V BR/CR2032 come alimentazione per il suo real-time clock (RTC) interno. In condizioni normali questa batteria avrà una durata minima di cinque anni.

Una bassa carica della batteria influisce sul funzionamento del RTC, facendolo resettare a ogni accensione. Quando la batteria deve essere sostituita, un messaggio di registro viene visualizzato nel report server del prodotto. Per ulteriori informazioni sul report server, vedere le pagine di configurazione del prodotto o contattare l'assistenza Axis.

La batteria non deve essere sostituita se non richiesto, ma nel caso in cui questo fosse necessario, contattare il supporto Axis all'indirizzo www.axis.com/techsup per assistenza.

⚠AVVERTENZA

- Rischio di esplosione se la batteria viene sostituita in modo errato.
- Sostituire solo con una batteria identica o una batteria consigliata da Axis.
- Smaltire le batterie usate in base alle normative locali o alle istruzioni del produttore della batteria.

Coperchio della cupola

AWISO

- Fare attenzione a non graffiare, danneggiare o lasciare impronte sul coperchio della cupola, perché potrebbe diminuire la qualità dell'immagine. Se possibile, tenere la protezione in plastica sul coperchio della cupola fino a quando l'installazione non sarà completata.
- Non pulire il coperchio della cupola che allo sguardo sembra pulito e non lucidare la superficie. Una pulizia eccessiva potrebbe danneggiare la superficie.
- Per la pulizia generale del coperchio della cupola, si consiglia di utilizzare un sapone neutro o detergente non abrasivo con acqua pura e un panno morbido e pulito. Sciacquare bene con acqua pura tiepida. Asciugare con un panno morbido e pulito per evitare macchie d'acqua.
- Non usare mai detersivi aggressivi, benzina, benzene o acetone ecc ed evitare di pulire il coperchio della cupola alla luce diretta del sole o a temperature elevate.

Guida all'installazione

La presente Guida all'installazione fornisce le istruzioni necessarie per installare la telecamera di rete a cupola fissa AXIS Q3505-V nella rete in uso. Per ulteriori informazioni sull'utilizzo del prodotto, consultare la Guida per l'utente disponibile all'indirizzo www.axis.com

Procedure di installazione

1. Assicurarsi che il contenuto della confezione, gli strumenti e altri materiali necessari per l'installazione siano in ordine. Consultare *pagina 67*.
2. Studiare la descrizione dell'hardware. Consultare *pagina 68*.
3. Studiare le specifiche. Consultare *pagina 73*.
4. Installazione dell'hardware. Consultare *pagina 75*.
5. Accedere al prodotto. Consultare *pagina 79*.

Contenuto della Confezione

Per accessori opzionali, visitare axis.com

- Telecamera di rete a cupola fissa AXIS Q3505-V
- Chiave a L per viti Torx sicure
- Connettore I/O
- Guarnizioni per cavi aggiuntive
 - Guarnizione per cavi M20
 - Guarnizione per cavi M20-3 mm
- CD d'installazione e gestione
- Materiali stampati
 - Guida all'installazione (questo documento)
 - Maschera di foratura (2x)
 - Etichetta aggiuntiva con numero di serie (2x)
 - Chiave di autenticazione AVHS

Strumenti raccomandati

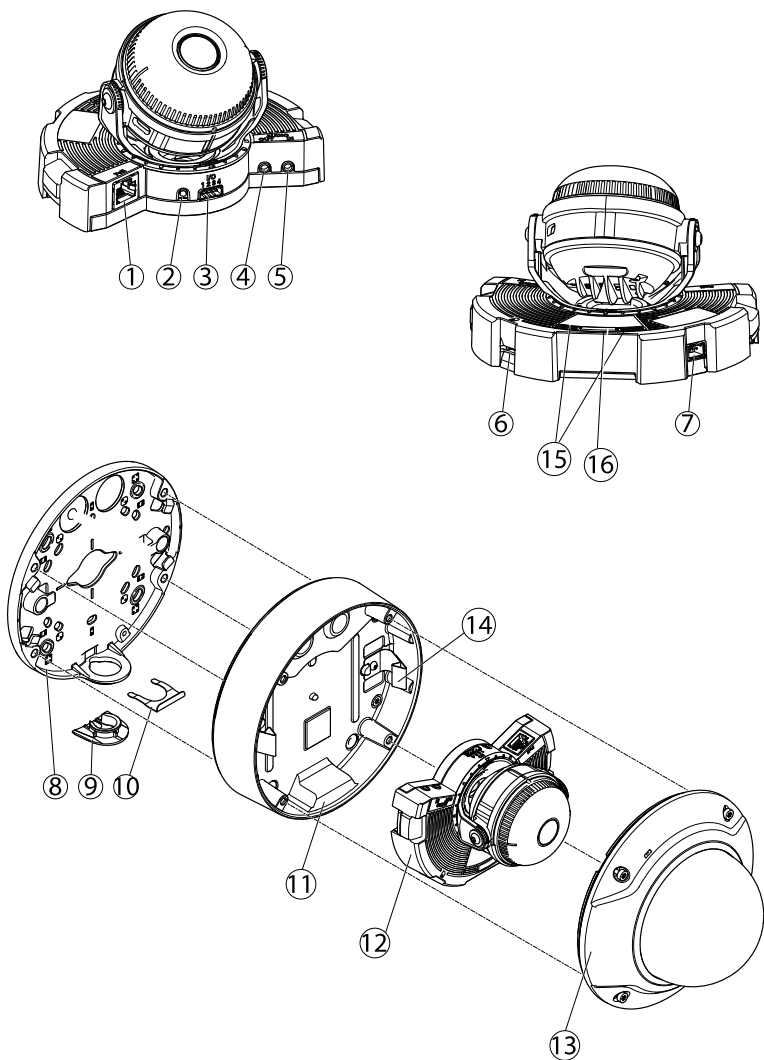
- Chiave per Resitorx TR20

Panoramica dell'hardware

Nota

Obiettivo da 3–9 mm: se durante la pulizia si esercita una pressione eccessiva sull'obiettivo, è possibile che questo si sposti verso il basso. Se tale evento si verifica durante il funzionamento della telecamera, calibrare nuovamente l'ottica facendo clic su **Calibrate (Calibra)** nella pagina **Web Server Maintenance (Manutenzione server)**: selezionare **System Options > Maintenance (Opzioni di sistema > Manutenzione)**.

AXIS Q3505-V Fixed Dome Network Camera



1. *Connettore di rete*
2. *Pulsante di comando*
3. *Connettore I/O*
4. *Uscita audio*
5. *Ingresso audio*
6. *Slot per scheda SD*
7. *Connettore CA/CC per accessorio di alimentazione (solo modelli per esterni)*

AXIS Q3505-V Fixed Dome Network Camera

8. Staffa di montaggio
9. Copertura laterale
10. Clip di arresto
11. Casing dell'unità
12. Unità telecamera
13. Coperchio della cupola
14. Molle nel casing dell'unità
15. LED di stato
16. Tasto Funzione

Indicatori LED

LED	Colore	Indicazione
LED di stato	Spento	Connessione e operazione normale
	Giallo	Costante durante l'avvio. Lampeggia durante l'aggiornamento del firmware.
	Giallo/rosso	Lampeggia in giallo/rosso se il Collegamento di rete non è disponibile o è stato perso.
	Rosso	Lampeggia in rosso se l'aggiornamento del firmware non è andato a buon fine.
	Verde	Una luce verde fissa per 10 secondi indica il normale funzionamento dopo il riavvio.

Nota

- Il LED di stato può essere configurato per lampeggiare quando un evento è attivo.
- Il LED di stato può essere configurato per lampeggiare per identificare l'unità. Andare su **Setup > System Options > Maintenance (Configurazione > Opzioni di sistema > Manutenzione)**.

Comportamento del LED di stato e del segnale acustico per Levelling Assistant

Per informazioni sul tasto Funzione utilizzato per il livellamento dell'immagine, consultare *Connettori e pulsanti*.

Colore	Segnale acustico	Posizione telecamera
Verde fisso	Segnale acustico continuo	Orizzontale
Luce lampeggiante verde	Intervallo rapido	Quasi orizzontale

Colore	Segnale acustico	Posizione telecamera
Luce lampeggiante arancione	Intervallo medio	Non orizzontale
Luce lampeggiante rossa	Intervallo lento	Absolutamente non orizzontale

Connettori e pulsanti

Per le specifiche e le condizioni di funzionamento, consultare *pagina 73*.

Connettore di rete

Connettore Ethernet RJ45 con Power over Ethernet (PoE+).

AWISO

Collegare il prodotto con un cavo di rete schermato (STP). Tutti i cavi che collegano il prodotto alla rete sono destinati al loro uso specifico. Accertarsi che i dispositivi di rete siano installati secondo le istruzioni del produttore. Per maggiori informazioni sui requisiti normativi, consultare .

Connettore I/O

Utilizzare con dispositivi esterni in combinazione con, ad esempio, allarmi antimanomissione, rilevazione del movimento, attivazione di eventi, registrazione temporizzata e notifiche di allarme. Oltre al punto di riferimento 0 V CC e all'alimentazione (uscita CC), il connettore I/O fornisce l'interfaccia per:

- **Uscita digitale** – Per collegare dispositivi esterni come relè o LED. I dispositivi collegati possono essere attivati tramite VAPIX® API (interfaccia per la programmazione di applicazioni), tramite i pulsanti di comando della pagina Live View (Immagini dal vivo) oppure tramite l'opzione Action Rule (regola di azione). L'uscita verrà visualizzata come attiva (visualizzata in **System Options (Opzioni di Sistema) > Ports & Devices (Porte e Dispositivi)**) se il dispositivo di allarme è attivato.
- **Ingresso digitale** – Ingresso allarme utilizzabile per collegare le periferiche, che può passare da chiuso ad aperto, ad esempio: Sensori di movimento (PIR), contatti porta/finestra, rilevatori di rottura vetri e così via. Dopo la ricezione del segnale lo stato cambia e l'ingresso diventa attivo (visualizzato in **System Options > Ports & Devices (Opzioni di Sistema > Porte e Dispositivi)**).

Connettore audio

Il prodotto Axis dispone dei seguenti connettori audio:

AXIS Q3505–V Fixed Dome Network Camera

- **Ingresso audio (rosa)** – Ingresso audio da 3,5 mm per microfono in mono o segnale mono line-in.
- **Uscita audio (verde)** – Uscita audio da 3,5 mm (livello di linea) che può essere connessa a un sistema di indirizzo pubblico (PA) o a un altoparlante con amplificatore integrato. Per l'uscita audio è necessario usare un connettore stereo.

Slot per scheda SD

È possibile utilizzare una scheda microSD (non inclusa) per la registrazione in modalità locale con unità di archiviazione rimovibile. Per ulteriori informazioni, consultare *Specifications on page 15*.

AVVISO

Per prevenire il danneggiamento delle registrazioni, la scheda SD deve essere scollegata prima della rimozione. Per scollegare, andare su **Setup > System Options > Storage > SD Card** (Configurazione > Opzioni di sistema > Archiviazione > Scheda SD) e fare clic su **Unmount** (Scollega).

Nota

Visitare www.axis.com per i consigli sulla scheda SD.

Pulsante di comando

Il pulsante di comando viene utilizzato per:

- Ripristino del prodotto alle impostazioni predefinite di fabbrica. Consultare *pagina 80*.
- Collegamento a un servizio AXIS Video Hosting System o AXIS Internet Dynamic DNS Service. Per ulteriori informazioni su questi servizi, consultare il Manuale Utente.

Tasto Funzione

Il tasto Funzione può essere utilizzato per più finalità:

- **Levelling assistant** – Questa funzione consente di garantire che l'immagine sia in posizione orizzontale. Premere il pulsante per circa 2 secondi per avviare il levelling assistant e premere nuovamente per interrompere la funzione. Il LED di stato (consultare *pagina 70*) e il segnale acustico sono di ausilio nel livellamento dell'immagine. L'immagine è in posizione orizzontale quando il segnale acustico è continuo.
- **Per visualizzare il LED di stato** – Premere il pulsante una volta per accendere i LED di stato. Premerlo di nuovo per spegnerli. I LED si spegneranno automaticamente dopo 10 secondi.

Multicable (venduto separatamente)

È possibile acquistare il Multicable presso il proprio rivenditore Axis per collegare un apparecchio esterno al prodotto Axis. Il cavo fornisce i seguenti connettori:

Connettore audio – Consultare *Connettori alla pagina 73*

Connettore I/O – Consultare *Connettori alla pagina 73*

Morsettiera di alimentazione – Connettore per alimentazione CA/CC per il collegamento dei cavi al convertitore di alimentazione da CA/CC a CC AXIS T8051 (non incluso).

Cavi	Specifiche
Rosso	+ CC o CA
Nero	- CC o CA

Dati tecnici

Il prodotto Axis è destinato all'uso interno.

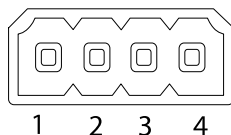
Prodotto	Classificazione	Temperatura	Umidità
AXIS Q3505-V	IEC 60529 IP52	Da -10 °C a 50 °C (da 14 °F a 122 °F)	10 - 85% (umidità relativa senza condensa)

Connettori

Connettore I/O

Morsettiera a 4-pin per:

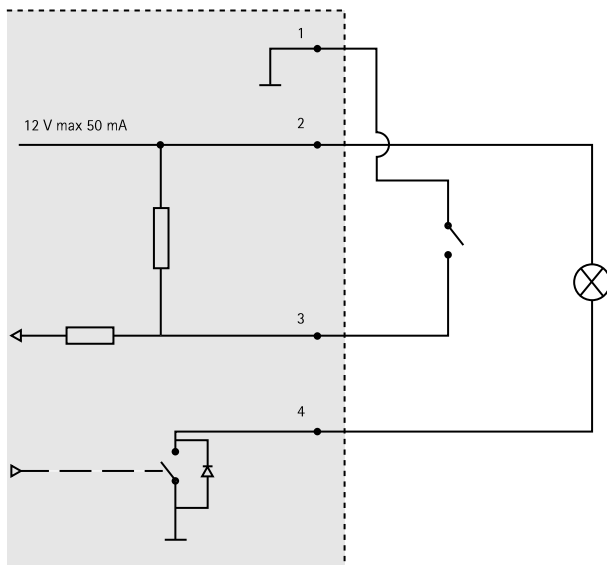
- Alimentazione ausiliaria (uscita CC)
- Ingresso digitale
- Uscita digitale
- 0 V CC (-)



Funzione	Pin	Note	Specifiche
0 V CC (-)	1		0 V CC

AXIS Q3505-V Fixed Dome Network Camera

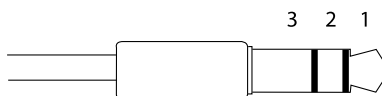
Uscita CC	2	Può essere utilizzato anche per alimentare una periferica ausiliaria. Nota: questo pin può essere usato solo come uscita alimentazione.	12 V CC Carico massimo = 50 mA
Configurabile (ingresso o uscita)	3-4	Ingresso digitale – Collegare al pin 1 per attivarlo oppure lasciarlo isolato (scollegato) per disattivarlo.	Da 0 a max 30 V CC
		Uscita digitale – Collegata al pin 1 quando attiva, isolata (scollegata) quando inattiva. Se utilizzata con un carico induttivo, ad esempio un relè esterno, è necessario collegare un diodo in parallelo al carico per proteggere il dispositivo da sovratensioni.	Da 0 a max 30 V CC, open-drain, 100 mA



- 3. I/O configurato come ingresso
- 4. I/O configurato come uscita

Connettore audio

Connettori audio da 3,5 mm (stereo)



	1 Punta	2 Anello	3 Guaina
Ingresso audio	Ingresso microfono bilanciato caldo (+)/Ingresso microfono non bilanciato/Ingresso linea	Ingresso microfono bilanciato freddo (-)	Terra
Uscita audio	Uscita linea (mono)		Terra

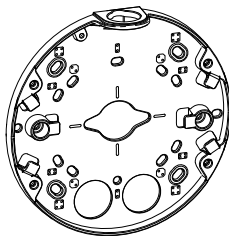
Slot per scheda SD



Supporta schede microSD con un massimo di 64 GB di archiviazione. Per prestazioni di registrazione ottimali, utilizzare una scheda microSDHC UHS-I o microSDXC UHS-I. A temperature inferiori a - 25° C utilizzare schede SD di qualità industriale.



Installazione dell'Hardware

Staffa di montaggio

La staffa di montaggio ha 4 diversi schemi di montaggio. La disposizione è standard per ciascuna delle seguenti opzioni di montaggio:

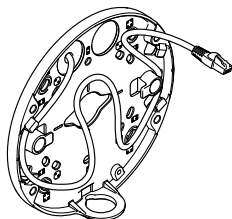


- 
 : scatola quadrata da 4"
- 
 : scatola di giunzione per unità doppia, a dimensioni standard USA

-  : scatola ottagonale da 4"
-  : scatola di giunzione per unità singola, a dimensioni standard USA

Fissaggio della staffa di montaggio a muro

1. Fissare la staffa di montaggio utilizzando le viti fornite in dotazione (consultare *Staffa di montaggio alla pagina 75*).
2. Per installare i cavi, consultare *Installazione dei cavi alla pagina 76*.
3. Inserire il cavo di rete nelle scanalature della staffa di montaggio mantenendone fuori una parte per un eventuale utilizzo successivo.



Installazione dei cavi

Nota

Consultare *Panoramica dell'hardware alla pagina 68*.

Attenersi alle procedure descritte di seguito per installare i cavi, in funzione del percorso attraverso o lungo la parete. Per installare i cavi attraverso la parete:

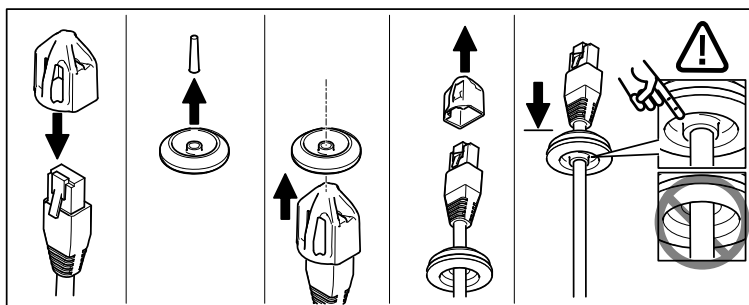
1. Montare la staffa praticando 4 fori e installare i cavi nella parete praticando uno o due fori con la maschera di foratura secondo la necessità.
2. Inserire nella parete il cavo di rete (e, se necessario, il Multicable) facendolo passare attraverso i fori sulla staffa di montaggio.

Attenersi a una delle seguenti procedure per installare i cavi lungo la parete:

1. Attraverso il foro laterale nella staffa di montaggio. Per effettuare tale operazione, aprire la clip di arresto e la copertura laterale della staffa di montaggio. Utilizzare un adattatore per canalina appropriato secondo necessità (per gli accessori opzionali, visitare il sito www.axis.com). Consultare *Panoramica dell'hardware alla pagina 68*.
2. Attraverso la copertura laterale dopo avervi praticato un foro per il cavo. Rimontare la copertura laterale e fissarla con la clip di arresto.

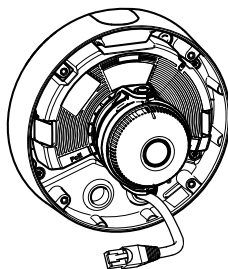
Collegamento dei cavi e fissaggio dell'alloggiamento dell'unità alla staffa di montaggio

1. Inserire la scheda di memoria SD nell'unità telecamera (opzionale).
2. Spingere il cavo di rete attraverso la relativa guarnizione nera in uno dei fori dell'alloggiamento dell'unità, utilizzando la protezione fornita. Tirare il cavo di rete delicatamente in modo da adattare la guarnizione al cavo stesso. Si consiglia di far passare il cavo attraverso il foro nel punto più lontano dal connettore di rete sull'unità telecamera (vedere illustrazione seguente).



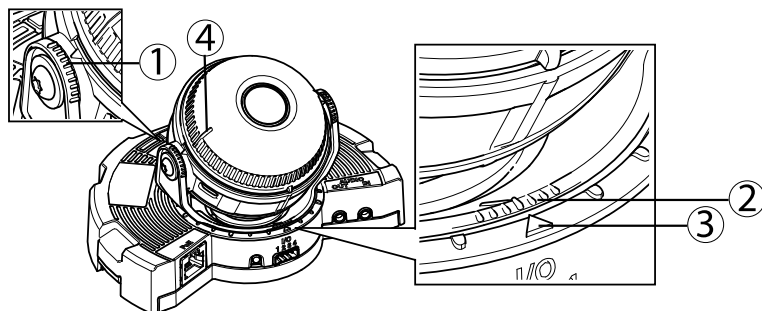
AVVISO

Se il cavo non viene tirato, è possibile che si verifichino infiltrazioni di acqua e danni al prodotto.



3. Serrare le 4 viti anti manomissione per fissare l'alloggiamento dell'unità alla staffa di montaggio utilizzando la chiave per Resitorx TR20.
4. Collegare il cavo all'unità telecamera.
5. Allontanare le molle dell'alloggiamento dell'unità e fissare l'unità telecamera in posizione.

Regolazione dell'angolazione della telecamera

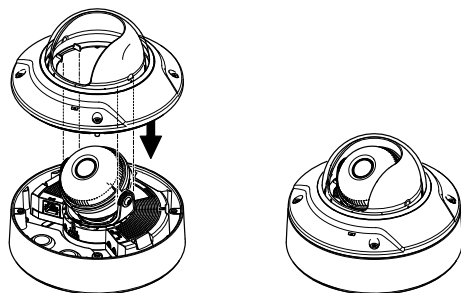


1. *Linee sul supporto dell'ottica che indicano un incremento dell'angolo di inclinazione di 10°*
2. *Linee piccole sul montaggio dell'ottica che indicano un incremento della rotazione di 3°*
3. *Linee sul montaggio dell'ottica che indicano un incremento della rotazione di 15°*
4. *Linee sul coperchio dell'obiettivo che consentono di garantire che la telecamera sia in posizione orizzontale.*

1. Copertura dell'area sotto sorveglianza grazie alle funzioni di panoramica, inclinazione e rotazione della telecamera. È possibile ruotare a 360° e inclinare a un angolo di 90°.
2. Regolare l'immagine ruotando l'obiettivo. Per accertarsi che la telecamera sia in posizione orizzontale, utilizzare le 2 linee sul coperchio dell'obiettivo. Per attivare il levelling assistant, utilizzare il tasto Funzione. Consultare *Tasto Funzione alla pagina 72*.

Fissaggio della copertura a cupola

1. Assicurarsi che la guarnizione della copertura a cupola sia pulita e ben salda.
2. Infilare le scanalature dello schermo protettivo nero sulle viti poste ai lati del supporto dell'ottica della telecamera. Allineare le viti della copertura a cupola ai fori dell'alloggiamento dell'unità e serrare con la chiave per Resitorx TR20.
3. Rimuovere la pellicola protettiva dalla copertura a cupola.



Unità telecamera: AXIS Q3505-V

Accedere al Prodotto

Utilizzare le utility contenute nel CD del software d'installazione e gestione per assegnare un indirizzo IP, impostare la password ed accedere al flusso video. Queste informazioni sono disponibili anche sulle pagine dedicate all'assistenza sul sito www.axis.com/techsup/

Messa a fuoco e zoom

Se avete selezionato **Installazione con zoom ottico** seguire le istruzioni di seguito riportate per impostare lo zoom e la messa a fuoco.

Per impostare zoom e messa a fuoco:

1. Andare a **Video & Audio > Focus & Zoom (Video e audio Video > Messa a fuoco e zoom)**.
2. Nella scheda **Basic (Base)**, impostare il livello di **zoom** utilizzando il cursore. I pulsanti **<** e **>** consentono di spostare la posizione dello zoom di un passo in ogni direzione. I pulsanti **<<** e **>>** consentono di spostare la posizione dello zoom di più passi in ogni direzione.
3. Fare clic su **Perform auto focus (Esegui messa a fuoco automatica)** per mettere a fuoco la telecamera automaticamente.
4. Se sono richieste altre regolazioni, passare alla scheda **Advanced (Avanzate)**.

Nota

- Evitare i movimenti davanti alla telecamera durante la messa a fuoco automatica.

Nella scheda **Advanced (Avanzate)** la messa a fuoco può essere regolata manualmente:

1. Fare clic su **Open iris (Apri diaframma)** per aprire il diaframma fino alla sua posizione massima. In questo modo, viene utilizzata la minima profondità di campo, offrendo le condizioni migliori per una corretta messa a fuoco.

AXIS Q3505–V Fixed Dome Network Camera

2. La messa a fuoco viene impostata nella finestra **Focus (Messa a fuoco)**. Utilizzare il mouse per spostare e ridimensionare la finestra di messa a fuoco.
3. Per mettere a fuoco su un'ubicazione desiderata, fare clic nella barra **Focus position (Posizione di messa a fuoco)**. I pulsanti < e > consentono di spostare la posizione di messa a fuoco di un passo in ogni direzione. I pulsanti << e >> consentono di spostare la posizione di messa a fuoco di più passi in ogni direzione.
4. Al termine, fare clic su **Enable iris (Abilita diaframma)** per abilitare il diaframma.

Impostare zoom e messa a fuoco – Zoom ottico per monitoraggio

Per impostare Messa a fuoco e zoom quando è stato attivato zoom ottico per monitoraggio:

Andare a **PTZ > Posizioni predefinite** e attenersi alle istruzioni online per impostare la messa a fuoco. Per essere in grado di conservare questa posizione di messa a fuoco dopo aver riavviato la telecamera, immettere un nome per questa posizione predefinita nel campo **Current position (Posizione attuale)** e selezionare **Use current position as Home (Utilizza posizione attuale come posizione iniziale)**. Se si desidera ricalibrare l'ottica mentre si sta utilizzando la modalità **Zoom ottico per il monitoraggio** selezionare questa posizione dall'elenco a discesa **Available positions (Posizioni disponibili)** nella pagina **Web Preset Positions (Posizioni predefinite)**. Fare clic su **Vai a** e **Salva**.

Per impostare i limiti per lo zoom e la messa a fuoco:

Andare a **Video & Audio (Video e audio) > Focus & Zoom (Messa a fuoco e zoom)**.

Selezionare un valore **Zoom tele limit (Limite tele zoom)** per impostare lo zoom massimo della telecamera. Il livello di zoom digitale è indicato con la lettera D. Per verificare il limite tele zoom, fare clic su **Go to (Passare a)**.

Impostare il **Focus near limit (Limite di messa a fuoco vicina)** per evitare la messa a fuoco su oggetti troppo vicini.

È possibile impostare la messa a fuoco e lo zoom da questa pagina, ma la messa a fuoco andrà persa quando la telecamera viene riavviata.

Ripristino dei valori predefiniti di fabbrica

Importante

Il ripristino delle impostazioni di fabbrica deve essere usato con cautela. Un ripristino delle impostazioni di fabbrica consentirà di ripristinare le impostazioni di fabbrica per tutti i parametri, incluso l'indirizzo IP.

Nota

Gli strumenti software per la gestione e l'installazione del prodotto sono disponibili sul CD fornito con il prodotto e sulle pagine dedicate all'assistenza sul sito Web www.axis.com/techsup.

Per ripristinare il prodotto alle impostazioni predefinite di fabbrica:

1. Scollegare l'alimentazione dal prodotto.
2. Tenere premuto il pulsante di controllo e ricollegare l'alimentazione. Vedere *Panoramica dell'hardware alla pagina 68*.
3. Tenere premuto il pulsante di controllo per 15–30 secondi circa fino a quando l'indicatore LED di stato lampeggerà in giallo.
4. Rilasciare il pulsante di controllo. Il processo è completo quando il LED di stato diventerà verde. Il prodotto è stato reimpostato alle impostazioni di fabbrica predefinite. Se nessun server DHCP è disponibile in rete, l'indirizzo IP predefinito è 192.168.0.90.
5. Mediante gli strumenti per l'installazione e la gestione del software, assegnare un indirizzo IP, impostare la password e accedere al flusso video.

È anche possibile reimpostare i parametri alle impostazioni predefinite di fabbrica mediante l'interfaccia web. Andare su **Setup > System Options > Maintenance (Configurazione > Opzioni di sistema > Manutenzione)**.

Ulteriori Informazioni

Il Manuale per l'Utente è disponibile all'indirizzo www.axis.com

Visitare il sito all'indirizzo www.axis.com/techsup per verificare se sono stati pubblicati aggiornamenti del firmware per il proprio prodotto di rete. Per conoscere la versione del firmware installata, andare su **Setup (Impostazioni) > About (Informazioni su)**.

Visitare il Centro di apprendimento Axis alla pagina www.axis.com/academy per servizi di formazione utili, webinar, tutorial e guide.

Informazioni sulla garanzia

Per informazioni sulla garanzia del prodotto Axis e informazioni ad esso relative, consultare la pagina www.axis.com/warranty/

Información de seguridad

Lea esta Guía de instalación con atención antes de instalar el producto. Guarde la Guía de instalación para poder consultarla en otro momento.

Niveles de peligro

▲PELIGRO

Indica una situación peligrosa que, si no se evita, provocará lesiones graves o la muerte.

▲ADVERTENCIA

Indica una situación peligrosa que, si no se evita, puede provocar lesiones graves o la muerte.

▲ATENCIÓN

Indica una situación peligrosa que, si no se evita, puede provocar lesiones moderadas o leves.

AVISO

Indica una situación peligrosa que, si no se evita, puede provocar daños materiales.

Otros niveles de mensaje

Importante

Indica información importante que es fundamental para que el producto funcione correctamente.

Nota

Indica información útil que ayuda a aprovechar el producto al máximo.

Instrucciones de seguridad

AVISO

- El producto de Axis debe utilizarse de acuerdo con las leyes y normas locales.
- Para usar el producto de Axis en exteriores, o en entornos similares, debe instalarse en una carcasa exterior aprobada.
- Almacene el producto de Axis en un entorno seco y ventilado.
- Evite la exposición del producto de Axis a choques o a una fuerte presión.
- No instale el producto en soportes, superficies o paredes inestables.
- Utilice solo las herramientas correspondientes cuando instale el producto de Axis. La aplicación de una fuerza excesiva puede provocar daños en el producto.
- No utilice limpiadores en aerosol, agentes cáusticos ni productos químicos. Limpie con un trapo limpio humedecido con agua pura.
- Utilice solo accesorios que cumplan con las especificaciones técnicas del producto. Estos accesorios los puede proporcionar Axis o un tercero.
- Utilice solo piezas de repuesto proporcionadas o recomendadas por Axis.
- No intente reparar el producto usted mismo. Póngase en contacto con el servicio de asistencia técnica de Axis o con su distribuidor de Axis para tratar asuntos de reparación.

Transporte

AVISO

- Cuando transporte el producto de Axis, utilice el embalaje original o un equivalente para evitar daños en el producto.

Batería

Este producto de Axis utiliza una batería de litio BR/CR2032 de 3,0 V como fuente de alimentación del reloj interno en tiempo real. En condiciones normales, esta batería durará un mínimo de cinco años.

Un nivel bajo de batería afectará al funcionamiento del reloj en tiempo real, lo que provocará el restablecimiento de lo mismo cada vez que se encienda el producto. Cuando sea necesario sustituir la batería, aparecerá un mensaje de registro en el informe del servidor del producto. Para obtener más información sobre el informe del servidor, vea las páginas de configuración del producto o póngase en contacto con el servicio de asistencia técnica de Axis.

La batería no debe sustituirse a menos que sea necesario; no obstante, si precisa hacerlo, póngase en contacto con el servicio de asistencia técnica de Axis en www.axis.com/techsup para solicitar ayuda.

⚠ADVERTENCIA

- La sustitución incorrecta de la batería implica riesgo de explosión.
- Sustituya la batería con una batería idéntica u otra batería recomendada por Axis.
- Deseche las baterías usadas de conformidad con la normativa local o las instrucciones del fabricante.

Cubierta del domo

AVISO

- Preste atención a no arañar, dañar o dejar las huellas en la cubierta del domo, puesto que esto puede provocar una disminución de la calidad de imagen. Si es posible, mantenga el plástico de protección en la cubierta del domo hasta que se complete la instalación.
- No limpie la cubierta del domo si parece a simple vista que está limpia y nunca pule la superficie. Una limpieza excesiva podría dañar la superficie.
- Para realizar un procedimiento de limpieza general de la cubierta del domo se recomienda usar detergente o jabón neutros, sin disolventes y no abrasivos mezclados con agua pura, y un trapo suave y limpio. Enjuague bien con agua pura y tibia. Seque con un trapo limpio y suave para evitar las manchas de gotas de agua.
- Nunca utilice detergentes abrasivos, gasolina, benceno, acetona, etc. y evite limpiar la cubierta del domo a temperaturas elevadas o en contacto directo con la luz solar.

Guía de instalación

Esta Guía de instalación incluye las instrucciones necesarias para instalar la cámara de red domo fija AXIS Q3505-V en su red. Para conocer otros aspectos de uso del producto, consulte el Manual del usuario disponible en www.axis.com

Pasos de la instalación

1. Asegúrese de que dispone del contenido del paquete, las herramientas y los demás materiales necesarios para la instalación. *Vea página 87.*
2. Estudie la información general del hardware. *Vea página 88.*
3. Estudie las especificaciones. *Vea página 93.*
4. Instale el hardware. *Vea página 95.*
5. Acceda al producto. *Vea página 99.*

Contenido del paquete

Para accesorios opcionales, vea axis.com

- Cámara domo de red fija AXIS Q3505-V
- Llave L Torx de seguridad
- Conector de E/S
- Juntas de cable adicionales
 - Junta de cable M20
 - Junta de cable M20-3 mm
- CD del software de instalación y gestión
- Materiales impresos
 - Guía de instalación (este documento)
 - Plantilla de perforado (2x)
 - Etiquetas adicionales con el número de serie (2x)
 - Clave de autenticación AVHS

Herramientas recomendadas

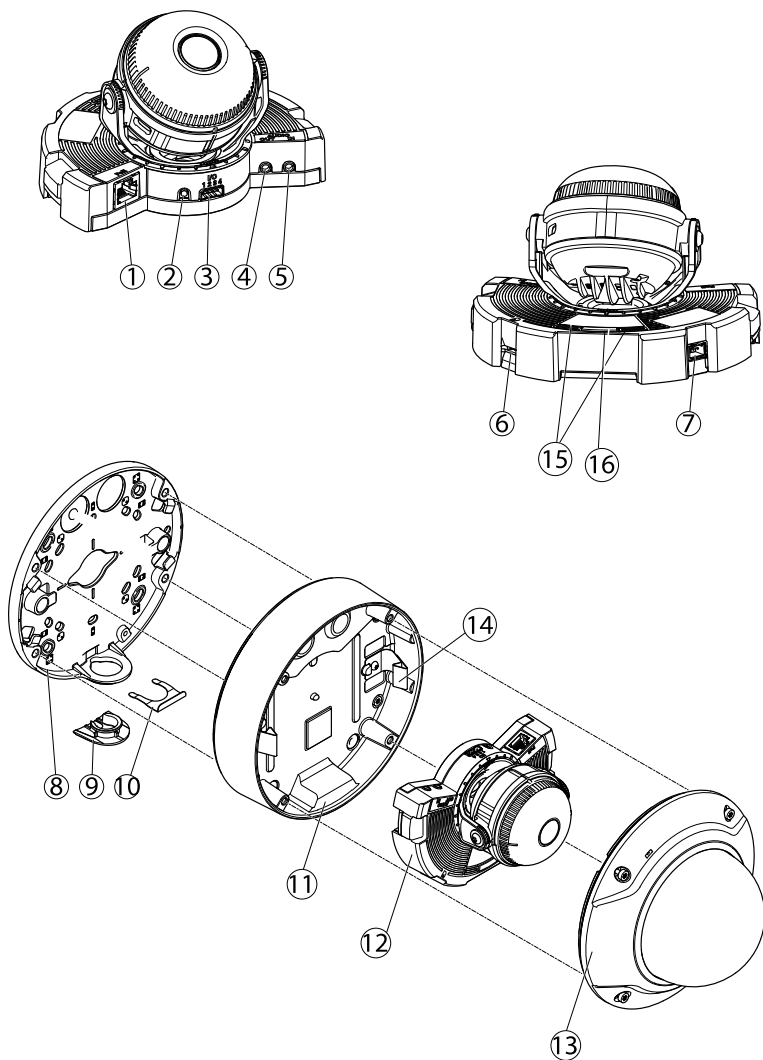
- Llave Resitorx TR20

Información general del hardware

Nota

Objetivo de 3–9 mm: Si se presiona el objetivo con demasiada fuerza al limpiarlo, este podría bajarse. Si esto sucede mientras la cámara está funcionando, vuelva a calibrar el sistema óptico haciendo clic en **Calibrate (Calibrar)** en la página web **Server Maintenance (Mantenimiento del servidor)** (**System Options > Maintenance [Opciones del sistema > Mantenimiento]**).

AXIS Q3505-V Fixed Dome Network Camera



1. Conector de red
2. Botón de control
3. Conector de E/S
4. Salida de audio
5. Entrada de audio
6. Ranura para tarjetas SD
7. Conector de CA/CC para accesorio de alimentación (solo modelo para exterior)

8. Soporte de montaje
9. Tapa lateral
10. Clip de bloqueo
11. Carcasa de la unidad
12. Unidad de cámara
13. Cubierta del domo
14. Muelles en carcasa de unidad
15. LED de estado
16. Botón de función

Indicadores LED

LED	Color	Indicación
Estado	Apagado	Conexión y funcionamiento normal
	Ámbar	Fijo durante el inicio. Parpadea durante la actualización del firmware.
	Ámbar/rojo	Parpadea en ámbar/rojo si la conexión a la red no está disponible o se ha perdido.
	Rojo	Parpadea en rojo si se produce un error durante la actualización del firmware.
	Verde	Se muestra fijo durante 10 segundos para indicar un funcionamiento normal después del reinicio.

Nota

- Se puede configurar el LED Estado para que parpadee mientras haya un evento activo.
- Se puede configurar el LED de estado para que parpadee e identifique la unidad. Vaya a **Setup > System Options > Maintenance** (Configuración > Opciones del sistema > Mantenimiento).

Comportamiento del indicador LED de estado y la señal del avisador acústico con el Asistente de nivelación

Para obtener información sobre el botón de función, utilizado para nivelar la imagen, vea *Conectores y botones*.

Color	Avisador acústico	Posición de la cámara:
Verde continuo	Sonido continuo	Nivelada
Verde parpadeante	Intervalo rápido	Casi nivelada

Color	Avisador acústico	Posición de la cámara:
Ámbar parpadeante	Intervalo medio	No nivelada
Rojo parpadeante	Intervalo lento	En absoluto nivelada

Conectores y botones

Para conocer las especificaciones y las condiciones de funcionamiento, vea *página 93*.

Conector de red

Conector Ethernet RJ45 con alimentación a través de Ethernet (PoE).

AVISO

El producto se conectará mediante un cable de red blindado (STP). Todos los cables que conecten el producto a la red deberán estar blindados para su uso específico. Asegúrese de que los dispositivos de red estén instalados de conformidad con las instrucciones del fabricante. Para obtener información sobre los requisitos normativos, vea .

Conector de E/S

Se utiliza con dispositivos externos combinados, por ejemplo, con alarmas antimanipulación, detección de movimiento, activación de eventos, grabación de intervalos de tiempo y notificaciones de alarma. Además del punto de referencia de 0 V CC y la potencia (salida de CC), el conector de E/S ofrece la interfaz para:

- **Salida digital** – para conectar dispositivos externos como relés y LED. Los dispositivos conectados se pueden activar mediante la Interfaz de programación de aplicaciones (API) VAPIX®, los botones de salida de la página Live View o mediante una regla de acción. La salida se mostrará activa (se indica en **System Options > Ports Et Devices** (Opciones del sistema > Puertos y dispositivos)) si el dispositivo de alarma está activado.
- **Entrada digital** – una entrada de alarma para conectar dispositivos que puedan alternar circuitos cerrados y abiertos, como: detectores PIR, contactos de puertas y ventanas, detectores de rotura de cristales, etc. Cuando se recibe una señal, el estado cambia y la entrada se vuelve activa (se indica en **System Options > Ports Et Devices** (Opciones del sistema > Puertos y dispositivos)).

Conector de audio

El producto de Axis integra los siguientes conectores de audio:

- **Entrada de audio (rosa)**: Entrada de 3,5 mm para micrófono mono, o entrada de línea de señal mono.

AXIS Q3505–V Fixed Dome Network Camera

- **Salida de audio (verde):** Salida para audio (nivel de línea) de 3,5 mm que se puede conectar a un sistema de megafonía pública o a un altavoz con amplificador incorporado. Debe utilizarse un conector estéreo para la salida de audio.

Ranura para tarjetas SD

Puede emplearse una tarjeta microSD (no incluida) para la grabación local con almacenamiento extraíble. Para obtener más información, vea *Especificaciones en la página 93*.

AVISO

Antes de retirar la tarjeta SD, hay que desinstalarla para evitar que las grabaciones resulten dañadas. Para desinstalarla, vaya a **Setup > System Options > Storage > SD Card (Configuración > Opciones del sistema > Almacenamiento > Tarjeta SD)** y haga clic en **Unmount (Desinstalar)**.

Nota

Para conocer las recomendaciones de tarjeta SD, vea www.axis.com.

Botón de control

El botón de control se utiliza para lo siguiente:

- Restablecer el producto a la configuración predeterminada de fábrica. Vea *página 100*.
- Conectarse a un servicio AXIS Video Hosting System o al Servicio de DNS dinámico de Internet de AXIS. Para obtener más información sobre estos servicios, vea el Manual del usuario.

Botón de función

El botón de función tiene diversas utilidades:

- **As Levelling Assistant (Como asistente de nivelación):** Esta función ayuda a garantizar que la imagen esté nivelada. Presione el botón durante 2 segundos aproximadamente para iniciar el asistente de nivelación y presiónelo de nuevo para detenerlo. El indicador LED de estado (vea *página 90*) y la señal del avisador acústico ayudan a nivelar la imagen. La imagen está nivelada cuando el avisador acústico emite un sonido continuo.
- **Para ver el LED de estado:** Pulse el botón una vez para iluminar los LED de estado. Púselo de nuevo para apagarlos. Los LED se apagarán automáticamente después de 10 segundos.

Multicable (se vende por separado)

El multicable se puede adquirir en cualquier distribuidor de Axis para conectar el equipo externo al producto de Axis. El cable proporciona los siguientes conectores:

Conector de audio – Vea *Conectores en la página 93*.

AXIS Q3505-V Fixed Dome Network Camera

Conector de E/S – Vea *Conectores en la página 93*.

Conector de alimentación – Conector para CA y CC para conectarse a los cables del convertidor de alimentación CA/CC a CC AXIS T8051 (no incluido).

Cables	Especificaciones
Rojo	+ CC o CA
Negro	-CC o CA

Especificaciones

Este producto de Axis se ha creado para su uso en interiores.

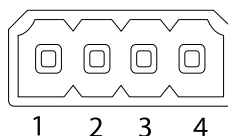
Producto	Clasificación	Temperatura	Humedad
AXIS Q3505-V	IEC 60529 IP52	-10 °C a 50 °C	Humedad relativa del 10 al 85 % (sin condensación)

Conectores

Conector de E/S

Bloque de terminales de 4 pines para:

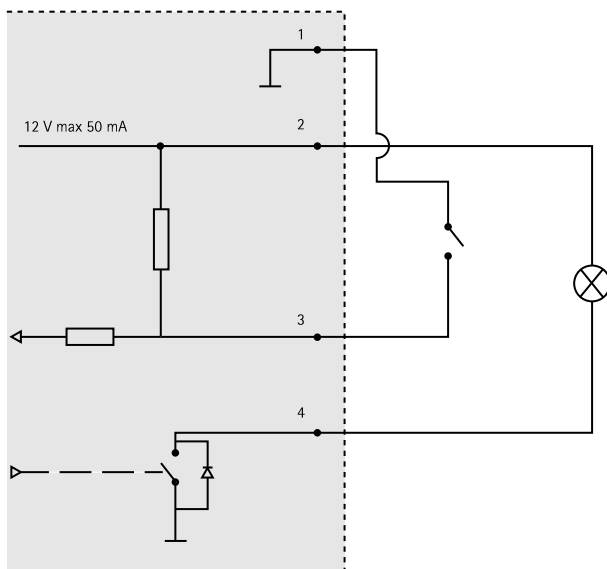
- Alimentación auxiliar (salida de CC)
- Entrada digital
- Salida digital
- 0 V CC (-)



Función	Pin	Notas	Especificaciones
0 V CC (-)	1		0 V CC
Salida de CC	2	Se puede utilizar para conectar el equipo auxiliar. Nota: Este pin solo se puede utilizar como salida.	12 V CC Carga máx. = 50 mA

AXIS Q3505-V Fixed Dome Network Camera

Configurable (entrada o salida)	3-	Entrada digital: Conéctela al pin 1 para activarla, o bien déjela suelta (o desconectada) para desactivarla.	0 a 30 V CC máx.
	4	Salida digital: Conectada al pin 1 cuando se activa y suelta (sin conectar) cuando está desactivada. Si se utiliza con una carga inductiva (por ejemplo, un relé), debe conectarse un diodo en paralelo a la carga como protección ante transitorios de tensión.	0 a 30 V CC máx., drenaje abierto, 100 mA



3. E/S configurada como entrada
4. E/S configurada como salida

Conector de audio

Conectores de audio de 3,5 mm (estéreo)



	1 Punta	2 Anillo	3 Manguito
Entrada de audio	Equilibrado caliente (+)/Entrada de línea/micrófono no equilibrado	Entrada de micrófono equilibrado frío (-)	Tierra
Salida de audio	Salida de línea (mono)		Tierra

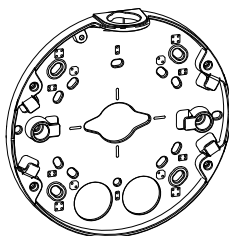
Ranura para tarjetas SD



Admite tarjetas microSD de hasta 64 GB de capacidad de almacenamiento. Para obtener un rendimiento de grabación óptimo, utilice una tarjeta microSDHC UHS-I o microSDXC UHS-I. Cuando la temperatura sea inferior a -25°C , utilice una tarjeta SD industrial.

Instalación del hardware



Soporte de montaje

El soporte de montaje cuenta con cuatro diseños de montaje. Los diseños de montaje siguen la norma de las siguientes opciones de montaje:



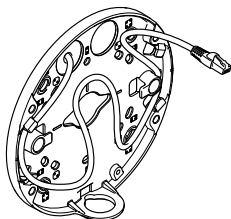
-  : caja cuadrada de 10,16 cm
-  : caja de conexiones de salida doble de tamaño estándar para EE. UU.

AXIS Q3505-V Fixed Dome Network Camera

-  : caja octogonal de 10,16 cm
-  : caja de conexiones de salida única de tamaño estándar para EE. UU.

Fijación del soporte de montaje a la pared

1. Fije el soporte de montaje (vea *Soporte de montaje en la página 95*) a la pared con los tornillos adecuados.
2. Para guiar los cables, vea *Guía de los cables en la página 96*.
3. Enrolle el cable de red a lo largo de las muescas del soporte de montaje dejando la longitud de cable adicional que podría necesitarse más adelante.



Guía de los cables

Nota

Vea *Información general del hardware en la página 88*.

Dependiendo de si desea poner los cables a través de la pared o a lo largo de ella, siga las instrucciones relevantes que aparecen a continuación. Para colocar los cables a través de la pared:

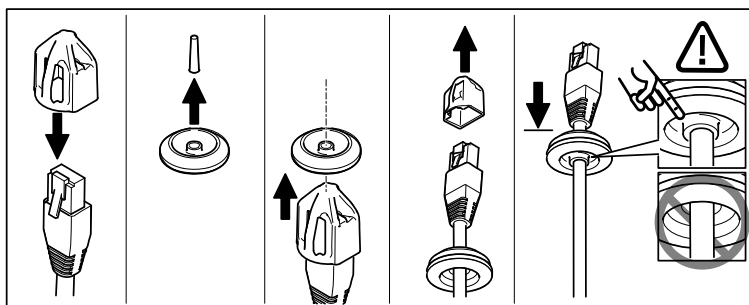
1. Utilice la plantilla de perforado para hacer cuatro orificios en el soporte para el montaje, y uno o dos orificios según sea necesario para guiar el cable o los cables por la pared.
2. Pase el cable de red (y el multicable si fuese necesario) a través de la pared y del orificio u orificios en el soporte de montaje.

Los cables se pueden pasar a lo largo de la pared de una de las siguientes maneras:

1. A través del orificio lateral del soporte de montaje. Para ello, separe el clip de bloqueo y la tapa lateral del soporte de montaje. Utilice un adaptador para conexiones según sea necesario (vea www.axis.com para conocer los accesorios opcionales). Vea *Información general del hardware en la página 88*.
2. A través de la tapa lateral después de perforar un orificio en la tapa para el cable. Vuelva a colocar la tapa lateral y apriete el clip de bloqueo para mantenerlo en su sitio.

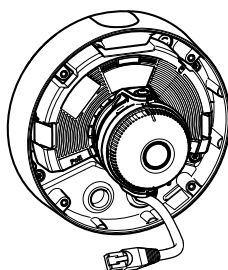
Conexión de los cables y fijación de la carcasa de la unidad al soporte de montaje

1. Inserte la tarjeta de memoria SD en la unidad de la cámara (opcional).
2. Empuje el cable de red a través de la junta de cable negra de uno de los orificios de la carcasa de la unidad, usando el protector del conector facilitado. Tire del cable de red hacia atrás suavemente de manera que la junta del cable se ajuste en el cable. Se recomienda guiar el cable a través del orificio más alejado del conector de red de la unidad de la cámara (vea la siguiente imagen).



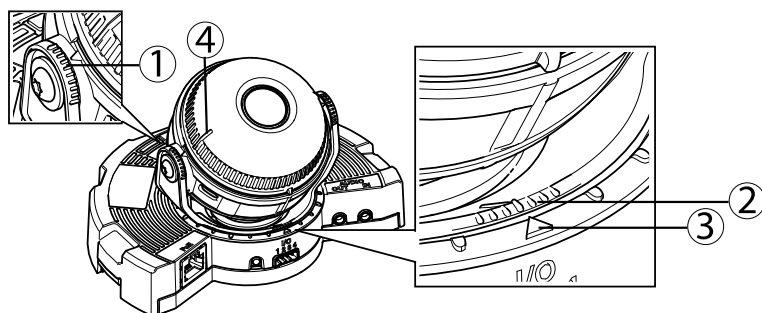
AVISO

Si no se tira del cable hacia atrás, podría filtrarse agua y dañar el producto.



3. Apriete los cuatro tornillos a prueba de manipulaciones para fijar la carcasa de la unidad al soporte de montaje utilizando la llave Resitorx TR20.
4. Conecte el cable a la unidad de cámara.
5. Retire los muelles de la carcasa de la unidad y fije la cámara a la carcasa de la unidad.

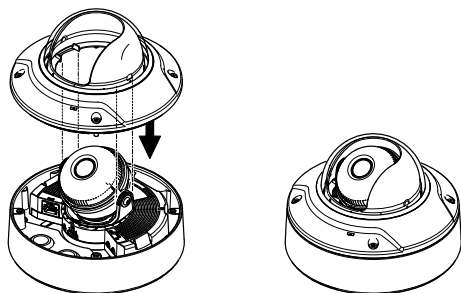
Ajuste de ángulo de la cámara



1. Las líneas en el soporte del sistema óptico indican un incremento en el ángulo vertical de 10°
 2. Las líneas pequeñas en el montaje del sistema óptico indican un incremento en horizontal de 3°
 3. Las líneas en el montaje del sistema óptico indican un incremento horizontal de 15°
 4. Las líneas en la cubierta del objetivo ayudan a garantizar que la cámara esté nivelada
1. Mueva la cámara en horizontal y vertical y gírela para cubrir el área bajo vigilancia. Es posible moverse 360° en horizontal y un ángulo de 90° en vertical.
 2. Mueva el objetivo en horizontal y gírelo para ajustar la imagen. Utilice las dos líneas de la cubierta del objetivo para asegurarse de que la cámara esté nivelada. Utilice el botón de función para activar el asistente de nivelación. Vea *Botón de función* en la página 92.

Fijación de la cubierta del domo

1. Asegúrese de que la junta de la cubierta del domo esté limpia y ajustada correctamente en su posición.
2. Deslice las muescas en la cubierta negra sobre los tornillos a ambos lados del soporte del sistema óptico de la cámara. Alinee los tornillos de la cubierta del domo con los orificios de la carcasa de la unidad y apriételes utilizando la llave Resitorx TR20.
3. Retire la película protectora de la cubierta del domo.



Unidad de cámara: AXIS Q3505-V

Acceso al producto

Utilice las herramientas suministradas en el CD del software de instalación y gestión para asignar una dirección IP, establecer la contraseña y acceder a la transmisión de vídeo. Esta información también está disponible en las páginas de asistencia técnica en www.axis.com/techsup/

Enfoque y zoom

Si ha seleccionado **Optical zoom for installation (Zoom óptico para la instalación)**, siga las instrucciones indicadas a continuación para ajustar el enfoque y el zoom.

Para ajustar el enfoque y el zoom:

1. Vaya a **Video & Audio > Focus & Zoom (Vídeo y audio > Vídeo > Enfoque y zoom)**.
2. En la pestaña **Basic (Configuración básica)**, establezca el nivel del zoom utilizando el control deslizante. Los botones < y > mueven la posición del zoom un paso en cada dirección. Los botones << y >> mueven la posición del zoom varios pasos en cada dirección.
3. Haga clic en **Perform auto focus (Realizar enfoque automático)** para enfocar la cámara automáticamente.
4. Si es necesario realizar más ajustes, vaya a la pestaña **Advanced (Configuración avanzada)**.

Nota

- Deben evitarse los movimientos delante de la cámara durante el enfoque automático.

En la pestaña **Advanced (Configuración avanzada)**, se puede ajustar el enfoque manualmente:

1. Haga clic en **Open iris (Abrir iris)** para abrir el iris hasta su máxima posición. Con esto se consigue la menor profundidad de campo posible y, por tanto, las condiciones óptimas de enfoque.

2. El enfoque se establece en la **Focus window (Ventana de enfoque)**. Utilice el ratón para mover la ventana de enfoque y cambiar su tamaño.
3. Haga clic en la barra **Focus position (Posición de enfoque)** para enfocar una localización concreta. Los botones < y > mueven la posición del enfoque un paso en cada dirección. Los botones << y >> mueven la posición del enfoque varios pasos en cada dirección.
4. Cuando esté satisfecho, haga clic en **Enable iris (Activar iris)** para activar el iris.

Ajuste de zoom y enfoque: zoom óptico para supervisión

Para ajustar el zoom y el enfoque si se ha seleccionado **Optical zoom for monitoring (Zoom óptico para supervisión)**:

Vaya a **PTZ > Preset Positions (PTZ > Posiciones predefinidas)** y siga las instrucciones en línea para configurar el enfoque. Con el fin de conservar esta posición de enfoque tras reiniciar la cámara, introduzca un nombre para este ajuste predefinido en el campo **Current position (Posición actual)** y seleccione la opción **Use current position as Home (Usar posición actual como inicio)**. Si calibra el sistema óptico mientras se encuentra en el modo **Optical zoom for monitoring (Zoom óptico para supervisión)**, seleccione este ajuste predefinido en la lista desplegable **Available positions (Posiciones disponibles)** de la página web **Preset Positions (Posiciones predefinidas)**. Haga clic en **Go to (Ir a)** y en **Save (Guardar)**.

Para establecer los límites del enfoque y el zoom:

Go to Video & Audio > Focus & Zoom (Vídeo y audio > Enfoque y zoom).

Seleccione un valor de **Zoom tele limit (Límite de teleobjetivo con zoom)** para limitar el zoom máximo de la cámara. El nivel de zoom digital se indica con la letra D. Para comprobar el límite de teleobjetivo con zoom, haga clic en **Go to (Ir a)**.

Defina el **Focus near limit (Límite de aproximación del enfoque)** para evitar que la cámara enfoque objetos que estén demasiado cerca.

Es posible ajustar el enfoque y el zoom desde esta página pero la configuración del enfoque se perderá al reiniciar la cámara.

Restablecimiento a la configuración predeterminada de fábrica

Importante

Hay que tener cuidado al restablecer la configuración predeterminada de fábrica. Todos los valores, incluida la dirección IP, se restablecerán a la configuración predeterminada de fábrica.

Nota

Las herramientas del software de instalación y gestión están disponibles en el CD suministrado con el producto, así como en las páginas de asistencia técnica en www.axis.com/techsup.

Para restablecer el producto a la configuración predeterminada de fábrica:

1. Desconecte la alimentación del producto.
2. Mantenga pulsado el botón de control y vuelva a conectar la alimentación. Vea *Información general del hardware en la página 88*.
3. Mantenga pulsado el botón de control durante 15–30 segundos hasta que el indicador LED de estado parpadee en ámbar.
4. Suelte el botón de control. El proceso finaliza cuando el indicador LED de estado se pone verde. El producto se ha restablecido a la configuración predeterminada de fábrica. Si no hay ningún servidor DHCP disponible en la red, la dirección IP predeterminada es 192.168.0.90.
5. Utilice las herramientas del software de instalación y gestión para asignar una dirección IP, establecer la contraseña y acceder a la transmisión de vídeo.

También es posible restablecer los parámetros a los valores predeterminados de fábrica mediante la interfaz web. Para ello, vaya a **Setup > System Options > Maintenance (Configuración > Opciones del sistema > Mantenimiento)**.

Más información

El Manual de usuario se encuentra disponible en www.axis.com.

Visite www.axis.com/techsup para comprobar si existe un firmware actualizado disponible para su producto de red. Para ver la versión del firmware instalado actualmente, vaya a **Setup > About (Configuración > Acerca de)**.

Visite el centro de aprendizaje de www.axis.com/academy para consultar guías, tutoriales, seminarios web y cursos que pueden resultarle útiles.

Información de la garantía

Para obtener más información acerca de la garantía del producto Axis e información relacionada, visite www.axis.com/warranty/

安全情報

本製品を設置する前に、このインストールガイドをよくお読みください。インストールガイドは、後で参照できるように保管しておいてください。

危険レベル

▲危険

回避しない場合、死亡または重傷につながる危険な状態を示します。

▲警告

回避しない場合、死亡または重傷につながるおそれのある危険な状態を示します。

▲注意

回避しない場合、軽傷または中程度の怪我につながるおそれのある危険な状態を示します。

注記

回避しない場合、器物の破損につながるおそれのある状態を示します。

その他のメッセージレベル

重要

製品を正しく機能させるために不可欠な重要情報を示します。

注意

製品を最大限に活用するために役立つ有用な情報を示します。

安全手順

注記

- 本製品は、お使いになる地域の法律や規制に準拠して使用してください。
- 本製品を屋外またはそれに準じる環境で使用する場合は、屋外対応の認証・認可がある筐体に収納して設置する必要があります。
- 本製品は乾燥した換気のよい環境に保管してください。
- 本製品に衝撃または強い圧力を加えないでください。
- 本製品を不安定なブラケット、表面、または壁に設置しないでください。
- 本製品を設置する際には、適切な工具のみを使用してください。過剰な力がかかると、製品が損傷することがあります。
- 化学薬品、腐食剤、噴霧式クリーナーは使用しないでください。清掃には、きれいな水に浸した清潔な布を使用してください。
- 製品の技術仕様に準拠したアクセサリのみを使用してください。これらのアクセサリは、Axisまたはサードパーティから入手できます。
- Axisが提供または推奨する交換部品のみを使用してください。
- 製品を自分で修理しないでください。修理については、Axisサポートまたは販売代理店にお問い合わせください。

輸送

注記

- 本製品を運搬する際は、製品が損傷しないよう、元の梱包か同等の梱包を使用してください。

バッテリー

本製品は、内部リアルタイムクロック (RTC) 用電源として、3.0 V BR/CR2032リチウムバッテリーを使用します。このバッテリーは、通常条件下で最低5年間使用できます。

バッテリーが低電力状態になると、RTCの動作に影響し、電源を入れるたびにRTCがリセットされます。バッテリーの交換が必要になると、製品のサーバーレポートにログメッセージが表示されます。サーバーレポートの詳細については、製品の設定ページを参照するか、Axisサポートまでお問い合わせください。

必要な場合以外はバッテリーを交換しないでください。バッテリーの交換が必要な場合は、Axisサポート (www.axis.com/techsup) までご連絡ください。

▲警告

- バッテリーは、正しく交換しないと爆発する危険があります。
- 交換用バッテリーとしては、同一品またはAxisが推奨するバッテリーのみを使用してください。
- 使用済みバッテリーは、地域の規制またはバッテリーメーカーの指示に従って廃棄してください。

ドームカバー

注記

- 画質低下の原因となるので、ドームカバーに傷や指紋を付けたり、損傷しないように注意してください。可能であれば、設置が完了するまでドームカバーに保護プラスチックを付けたままにしてください。
- 肉眼で見て汚れがない場合は、ドームカバーを掃除しないでください。また、絶対に表面を磨かないでください。過度な清掃により、表面が破損することがあります。
- ドームカバーの通常のクリーニングには、磨耗防止タイプの無溶媒の中性石鹸またはきれいな水で薄めた洗剤と、柔らかい清潔な布を使用することをお勧めします。洗浄後、きれいなぬるま湯でよくすすいでください。水滴の跡が付かないよう、清潔な柔らかい布で拭いて乾かしてください。
- 強力な洗剤、ガソリン、ベンジン、アセトンなどは絶対に使用しないでください。また直射日光が当たる場所や気温が上昇する場所での、ドームカバーの清掃は避けてください。

インストールガイド

このインストールガイドでは、AXIS Q3505-V固定ドームネットワークカメラをお使いのネットワークにインストールする手順について説明します。製品の使用方法については、www.axis.comで入手できるユーザーズマニュアルを参照してください。

設置手順

1. パッケージの内容、ツールなど、設置に必要な物がそろっているかを確認します。107ページを参照してください。
2. 「ハードウェアの概要」をよく読みます。108ページを参照してください。
3. 「仕様」をよく読みます。113ページを参照してください。
4. ハードウェアの設置。115ページを参照してください。
5. 製品にアクセスします。119ページを参照してください。

パッケージの内容

オプションアクセサリについては、www.axis.comを参照してください。

- AXIS Q3505-V固定ドームネットワークカメラ
- いじり止めトルクスL型レンチ
- I/Oコネクタ
- 予備のケーブルガasket
 - ケーブルガasket M20
 - ケーブルガasket M20-3mm
- インストール・管理ソフトウェアCD
- 印刷物
 - インストールガイド(本書)
 - ドリルテンプレート×2
 - 予備のシリアル番号ラベル×2
 - AVHS認証キー

推奨ツール

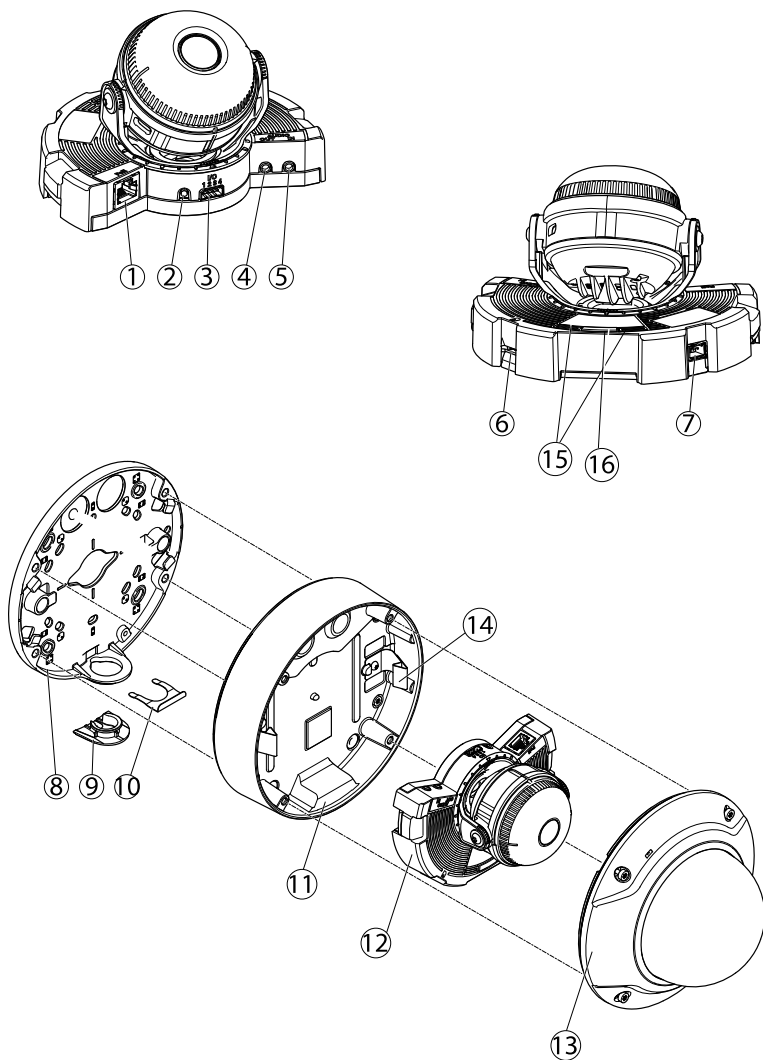
- いじり止めヘックスローブレンチTR20

ハードウェアの概要

注意

3~9 mmのレンズ: クリーニング時にレンズを強く押しすぎると、レンズが後退する場合があります。カメラの稼働中にこの状況になった場合は、光学部品の再較正を行う必要があります。[Server Maintenance] (サーバーの保守) Webページ ([System Options - Maintenance] (システムオプション-保守)) から、[Calibrate] (較正) をクリックします。

AXIS Q3505-V Fixed Dome Network Camera



1. ネットワークコネクタ
2. コントロールボタン
3. I/Oコネクタ
4. 音声出力
5. 音声入力
6. SDカードスロット
7. 電源アクセサリ用AC/DCコネクタ (屋外対応モデルのみ)

AXIS Q3505-V Fixed Dome Network Camera

8. 取り付けブラケット
9. サイドリッド
10. ロッキングクリップ
11. ユニットケーシング
12. カメラユニット
13. ドームカバー
14. ユニットケーシング内のスプリング
15. ステータスLED
16. 機能ボタン

LEDインジケータ

LED	色	説明
ステータス	消灯	接続時と正常動作時は、無点灯のままです。
	黄	起動時に点灯し、ファームウェアのアップグレード時には点滅します。
	黄/赤	ネットワーク接続が利用できないか、失われた場合は、黄色/赤色で点滅します。
	赤	ファームウェアのアップグレードに失敗すると、赤色で点滅します。
	緑	再起動後、正常に動作する場合、10秒間、緑色で点灯します。

注意

- ステータスLEDは、イベントの発生時に点滅させることができます。
- ステータスLEDを点滅させ、本製品を識別できるように設定することができます。設定は、**[Setup - System Options - Maintenance] (設定 - システムオプション - 保守)**で行います。

水平化アシスタントのステータスLEDとブザー信号

画像の水平化に使用する機能ボタンの詳細については、インストールガイドを参照してください。

色	ブザー	カメラの位置
緑: 点灯	連続音	水平
緑: 点滅	短い間隔	ほぼ水平

色	ブザー	カメラの位置
橙色: 点滅	中程度の間隔	水平ではない
赤: 点滅	長い間隔	かなり傾いている

コネクタとボタン

仕様と動作条件については、113ページを参照してください。

ネットワークコネクタ

RJ45イーサネットコネクタ、Power over Ethernet (PoE) 対応

注記

本製品は、シールドネットワークケーブル (STP) を使用して接続してください。本製品は、用途に合ったケーブルを使用してネットワークに接続してください。ネットワーク装置がメーカーの指示どおりに設置されていることを確認してください。法的要件については、を参照してください。

I/Oコネクタ

外部装置を接続し、カメラに対するいたずらの警報、動体検知、イベントトリガー、低速度撮影、アラーム通知などを使用することができます。I/Oコネクタは、0V DC基準点と電力 (DC出力) に加えて、以下のインターフェースを提供します。

- **デジタル出力** – リレーやLEDなどの外部デバイスを接続します。接続されたデバイスは、VAPIX®アプリケーションプログラミングインターフェース (API)、[Live View] (ライブビュー) ページの出力ボタン、アクションルールを使用してアクティブにすることができます。アラームデバイスがアクティブな場合、出力がアクティブと表示されます ([System Options - Ports & Devices] (システムオプション - ポートとデバイス) で表示)。
- **デジタル入力** – 回路の開閉の切り替えが可能なデバイス (PIR、ドアや窓のコンタクト、ガラス破損検知器など) を接続するためのアラーム入力です。信号を受信すると状態が変化し、入力がアクティブになります ([System Options - Ports & Devices] (システムオプション - ポートとデバイス) で表示)。

音声コネクタ

本製品は、以下の音声コネクタを搭載しています。

- **音声入力 (ピンク)** – モノラルマイクروفオンまたはライン入力モノラル信号用3.5 mm入力。

AXIS Q3505-V Fixed Dome Network Camera

- **音声出力 (緑)** - パブリックアドレス (PA) システムまたはアンプ内蔵アクティブスピーカーに接続できる3.5 mm音声出力 (ラインレベル)。音声出力には、ステレオコネクタを使用する必要があります。

SDカードスロット

microSDカード (非付属品) を使用すると、カメラでローカルに録画を行えます。詳細については、113ページの、インストールガイドを参照してください。

注記

録画データが破損しないように、SDカードはマウント解除してから取り外す必要があります。SDカードをマウント解除するには、[Setup - System Options - Storage - SD Card] (設定 - システムオプション - ストレージ - SDカード) を選択し、[Unmount] (マウント解除) をクリックします。

注意

推奨するSDカードについては、www.axis.comを参照してください。

コントロールボタン

コントロールボタンは、以下の用途で使用します。

- 製品を工場出荷時の設定にリセットする。120ページを参照してください。
- AXIS Video Hosting SystemサービスまたはAXIS Internet Dynamic DNSサービスに接続する。これらのサービスの詳細については、ユーザーズマニュアルを参照してください。

機能ボタン

機能ボタンには、以下のような機能があります。

- **水平化アシスタント** - 画像を水平にするのに役立つ機能です。ボタンを約2秒間押し続けると水平化アシスタントが起動し、もう一度押しと停止します。ステータスLED (110ページを参照) とブザー信号を使用して、画像の水平化を行います。画像が水平になると、ブザーが連続音になります。
- **ステータスLEDを表示する** - 機能ボタンを1回押しとステータスLEDがオンになり、もう一回押しとオフになります。10秒経過すると、ステータスLEDは自動的にオフになります。

マルチケーブル (別売)

外部装置を本製品に接続するためのマルチケーブルは、Axisの販売代理店から購入できます。このケーブルには、以下のコネクタがあります。

音声コネクタ - 113ページの、インストールガイドを参照してください。

AXIS Q3505-V Fixed Dome Network Camera

I/Oコネクタ - 113ページの、インストールガイドを参照してください。

電源コネクタ - ACおよびDC電源のコネクタ。AXIS T8051電力コンバータAC/DCをDCワイヤー (非付属品) に接続します。

ワイヤー	仕様
赤	+ DCまたはAC
黒	- DCまたはAC

仕様

本製品は屋内用モデルです。

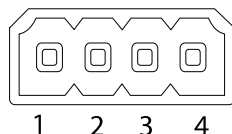
製品	等級	温度	湿度
AXIS Q3505-V	IEC 60529 IP52	-10 ° C~50 ° C	10~85% RH (結露不可)

コネクター

I/Oコネクタ

4ピンターミナルブロック

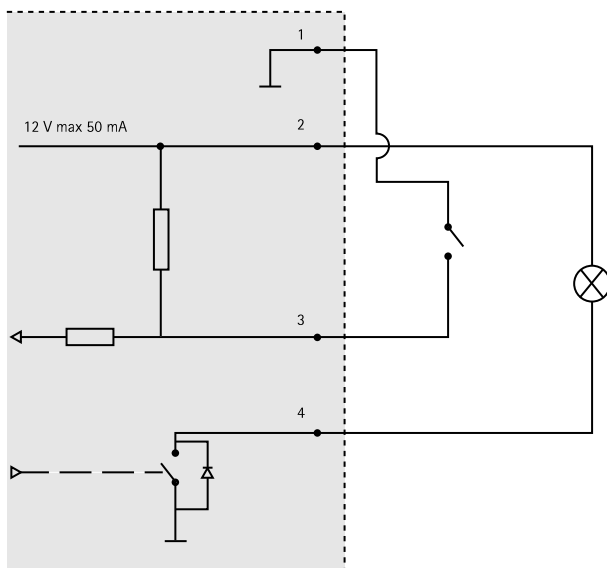
- 補助電源 (DC出力)
- デジタル入力
- デジタル出力
- 0V DC (-)



機能	ピン	備考	仕様
0V DC (-)	1		0V DC
DC出力	2	補助装置の電源供給に使用できます。 注: このピンは、電源出力としてのみ使用できます。	12V DC 最大負荷 = 50 mA

AXIS Q3505-V Fixed Dome Network Camera

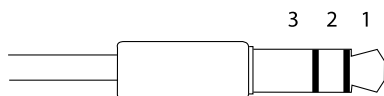
入力または出力として設定	3-4	デジタル入力 - 動作させるにはピン1に接続し、動作させない場合はフロート状態(未接続)のままにします。	0~30 V DC (最大)
		デジタル出力 - 動作させるにはピン1に接続し、動作させない場合はフロート状態(未接続)にします。誘導負荷(例: リレー)とともに使用する場合は、過渡電圧から保護するため、ダイオードを負荷と並列に接続する必要があります。	0~30 V DC (最大)、 オープンドレイン、 100 mA



- 3. I/O (入力として設定)
- 4. I/O (出力として設定)

音声コネクタ

3.5 mm 音声コネク
タ (ステレオ)



	1 先端部	2 リング	3 スリーブ
音声入 力	バランス型マイクロ フォンホット (+) 入力/ アンバランス型マイク ロフォン入力/ライン 入力	バランス型マイクロ フォンコールド (-) 入 力	グラウンド
音声出 力	ライン出力 (モノラル)		グラウンド

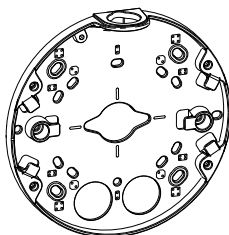
SDカードスロット

最大64 GBのmicroSDカードを使用することができます。最高の録画性能を得るには、microSDHC UHS-IまたはmicroSDXC UHS-Iカードを使用してください。気温が-25°Cを下回る場合は、産業グレードのSDカードを使用してください。

ハードウェアの設置




取り付けブラケット

取り付けブラケットは、4種類のパターンで取り付けすることができます。取り付けパターンは、以下の取り付けオプションの基準に従って設定されています。



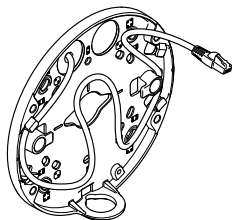
- 
 : 4インチの正方形ボックス

AXIS Q3505-V Fixed Dome Network Camera

-  : 標準サイズの米国ダブルギャングジャンクションボックス
-  : 4インチの八角形ボックス
-  : 標準サイズの米国シングルギャングジャンクションボックス

取り付けブラケットの壁面への取り付け

- 適切なネジを使用して、取り付けブラケット (115ページの、インストールガイドを参照) を壁面に取り付けます。
- ケーブル配線については、116ページの、インストールガイドを参照してください。
- 後でさらにケーブル長が必要になる場合に備えて、取り付けブラケットの溝に沿ってネットワークケーブルを巻き付けます。



ケーブルの配線

注意

108ページの、インストールガイドを参照してください。

ケーブルを、壁の中を通すか、壁に沿って配線します。以下の該当する手順に従ってください。壁の中を通して配線する場合は、以下の手順を実行します。

- ドリルテンプレートを使用して、ブラケット取り付け用に孔を4つ、壁の中にケーブルを配線するための孔を1つまたは2つ開けます。
- ネットワークケーブル(必要な場合はマルチケーブルも)を、壁の中と取り付けブラケットの孔を通して配線します。

ケーブルを壁に沿って配線するには、以下のいずれかの方法を使用します。

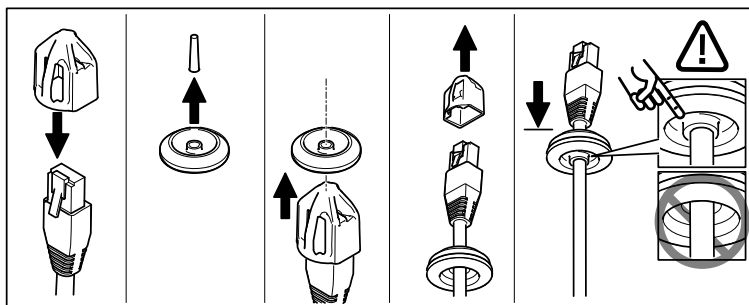
- 取り付けブラケットのサイドホールを通す - 取り付けブラケットのロックングクリップとサイドリッドを取り外します。必要に応じて、適切なコネクタアダプターを使用します (オプションアクセサリについては、

www.axis.comを参照)。108ページの、インストールガイドを参照してください。

2. サイドリッドにケーブル用の孔を開けてから、サイドリッドを通す - サイドリッドを元に戻し、ロックングクリップを締め付けてサイドリッドを固定します。

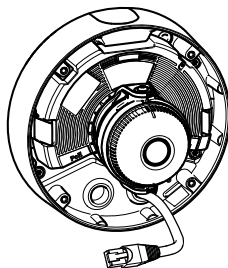
ケーブルの接続とユニットケーシングの取り付けブラケットへの取り付け

1. SDメモリーカードをカメラユニットに挿入します (省略可)。
2. 付属のコネクタガードを使用して、ユニットケーシングの孔の1つに、黒いケーブルガasketを通してネットワークケーブルを押し込みます。ネットワークケーブルを少し手前に引っ張り、ケーブルガasketをケーブルにぴったりと合わせます。カメラユニットのネットワークコネクタから最も遠い孔にケーブルを通すことをお勧めします (下の画像を参照)。



注記

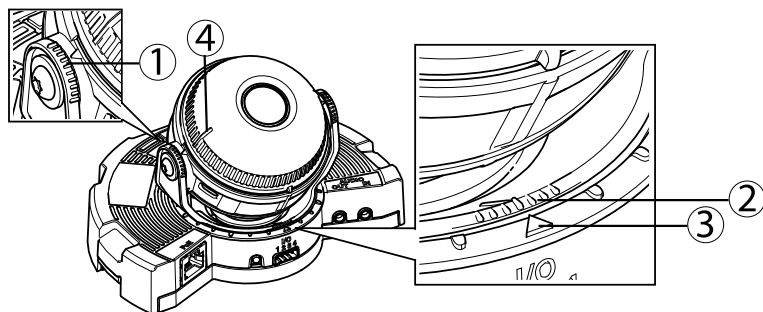
ケーブルを引っ張って手前に戻さないと、浸水して製品が損傷するおそれがあります。



AXIS Q3505-V Fixed Dome Network Camera

- いじり止めヘックスローブレンチTR20を使用して4本のいたずら防止ネジを締め、ユニットケーシングを取り付けブラケットに取り付けます。
- ケーブルをカメラユニットに接続します。
- ユニットケーシング内のスプリングを横に引き、カメラユニットをユニットケーシングに取り付けます。

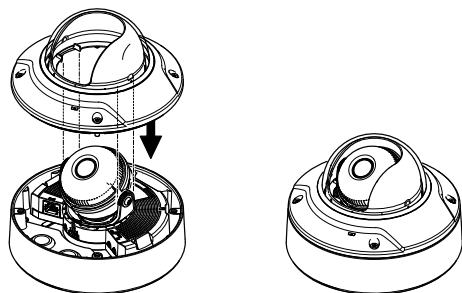
カメラアングルの調整



- 光学部品ホルダー上のライン。チルト角度 (10° ずつ) を示します。
 - 光学部品マウント上の短いライン。パンの角度 (3° ずつ) を示します。
 - 光学部品マウント上のライン。パンの角度 (15° ずつ) を示します。
 - レンズカバー上のライン。カメラを水平にするのに役立ちます。
- カメラのパン、チルト、回転を行い、監視領域をきれいに監視できるかを確認します。パンは 360° 、チルトは 90° まで可能です。
 - パンと回転を行い、適切な画像が得られるよう、レンズを調整します。レンズカバーの2本のラインを使用して、カメラが水平かどうかを確認します。機能ボタンを使用して、水平化支援機能を起動します。112ページの、インストールガイドを参照してください。

ドームカバーの取り付け

- ドームカバーのガスケットが汚れておらず、しっかりと固定されていることを確認します。
- 黒いシールド内のみぞを、カメラの光学部品ホルダーの片側にあるネジにはめ込みます。ドームカバー内のネジをユニットケーシングの孔に合わせて、いじり止めヘックスローブレンチTR20を使用して強く締めます。
- ドームカバーから保護フィルムを取り除きます。



カメラユニット: AXIS Q3505-V

製品へのアクセス

IPアドレスの割り当て、パスワードの設定、ビデオストリームへのアクセスを行うには、インストール・管理ソフトウェアCDに収録されているツールを使用します。この情報は、Axisのサポートページ (www.axis.com/techsup) にも掲載されています。

フォーカスとズーム

[Optical zoom for installation] (設置用光学ズーム) を選択した場合、以下の手順でフォーカスとズームを設定します。詳細については、を参照してください。

フォーカスとズームは、以下の手順で設定します。

1. [Video & Audio - Focus & Zoom] (ビデオと音声 - フォーカスとズーム) に移動します。
2. [Basic] (基本設定) タブで、スライダーを使用してズームレベルを設定します。 < または > のボタンで、ズーム位置がどちらかの方向に1段階移動します。 << または >> のボタンで、ズーム位置がどちらかの方向に何段階か移動します。
3. [Perform auto focus] (オートフォーカスを実行する) をクリックして、カメラの焦点を自動的に合わせます。
4. さらに調整が必要な場合は、[Advanced] (高度な設定) タブに移動します。

注意

- オートフォーカス中は、カメラの前で動きが発生しないようにしてください。

[Advanced] (高度な設定) タブでは、以下の手順でフォーカスを手動で調整することができます。

1. [Open iris] (絞りを開く) をクリックして、カメラの絞りを最大位置まで開きます。被写界深度が最小になり、焦点合わせに最適な条件になります。

2. フォーカスは、**フォーカスウィンドウ**で設定します。マウスを使用して、フォーカスウィンドウの移動やサイズの変更を行います。
3. **フォーカス位置**バーをクリックして、目的の位置に焦点を合わせます。 <または>のボタンで、フォーカス位置がどちらかの方向に1段階移動します。 <<または>> ボタンで、フォーカス位置がどちらかの方向に何段階か移動します。
4. 正しく設定されたことを確認したら、**[Enable iris] (絞りを有効にする)** をクリックして、絞りを有効にします。

ズームとフォーカスの設定 - 監視用光学ズーム

[Optical zoom for monitoring] (監視用光学ズーム)を選択した場合、以下の手順でフォーカスとズームを設定します。

[PTZ - Preset Positions] (PTZ - プリセットポジション)を選択し、表示される指示に従ってフォーカスを設定します。カメラの再起動後も同じフォーカス位置を保つようにするには、**[Current position] (現在のポジション)** フィールドにこのフォーカス位置の名前を入力し、**[Use current position as Home] (現在のポジションをホームとして使用する)** オプションを選択します。この **[Optical zoom for monitoring] (監視用光学ズーム)** モードで光学部品の較正を行う場合は、**[Preset Positions] (プリセットポジション)** Webページの **[Available positions] (利用可能なポジション)** ドロップダウンリストから、このプリセットポジションを選択し、**[Go to] (移動)** をクリックし、**[Save] (保存)** をクリックします。 .

フォーカスとズームのリミットは、以下の手順で設定します。

[Video & Audio - Focus & Zoom] (ビデオと音声 - フォーカスとズーム) に移動します。

[Zoom tele limit] (望遠側リミット) 値を選択して、カメラの最大ズーム倍率を指定します。デジタルズームレベルにはDという文字が付きます。最大ズーム倍率を確認するには、**[Go to] (移動)** をクリックします。

近すぎる被写体に焦点が合わないようにするには、**[Focus near limit] (近距離側リミット)** を設定します。

このページではフォーカスとズームを設定できますが、カメラを再起動すると、設定したフォーカスは失われます。

工場出荷時の設定にリセットする

重要

工場出荷時の設定へのリセットは慎重に行ってください。工場出荷時の設定へのリセットを行うと、IPアドレスを含むすべての設定が工場出荷時の値にリセットされます。

注意

インストール・管理ソフトウェアツールは、製品に付属のCDに収められています。また、次のURLのサポートページから入手できます。
www.axis.com/techsup

本製品を工場出荷時の設定にリセットするには、以下の手順を実行します。

1. 本製品の電源を切ります。
2. コントロールボタンを押しながら、電源を再投入します。詳細については、108ページの、インストールガイド。
3. ステータスLEDが黄色に点滅するまで、コントロールボタンを押し続けます(約15～30秒間)。
4. コントロールボタンを離します。プロセスが完了すると、ステータスLEDが緑色に変わります。これで本製品は工場出荷時の設定にリセットされました。ネットワーク上に利用可能なDHCPサーバーがない場合、デフォルトのIPアドレス 192.168.0.90 が使用されます。
5. インストール・管理ソフトウェアツールを使用して、IPアドレスの割り当て、パスワードの設定、ビデオストリームへのアクセスを行います。

Webインターフェースを使用して、各種パラメーターを工場出荷時の設定に戻すこともできます。[Setup - System Options - Maintenance] (設定 - システムオプション - 保守) を選択します。

関連情報

ユーザーズマニュアルは、www.axis.comで入手できます。

www.axis.com/techsupにアクセスして、ご使用のネットワーク製品の新しいファームウェアがリリースされていないかを確認してください。現在インストールされているファームウェアのバージョンを確認するには、[Setup - About] (設定 - バージョン情報) を参照してください。

Axisラーニングセンター (www.axis.com/academy) にアクセスしてください。役に立つトレーニング、ウェブセミナー、チュートリアル、ガイドをご用意しています。

保証

Axisの製品保証と関連情報については、www.axis.com/warrantyをご覧ください。

